

**The Great Grid Upgrade**

Sea Link

# Preliminary Environmental Information Report

Volume: 2

Part 3 Kent Onshore Scheme

Appendix 3.8.E Traffic Flow Diagrams

Version A

October 2023

**nationalgrid**

*Page intentionally blank*

# Contents

---

<b>3.8.E Appendix 3.8.E – Construction Worker Trip Distribution</b>	<b>1</b>
---	----------

---

## Table of Images

Image 1 Staff Distribution	1
Image 2 LGV Distribution	2
Image 3 HGV Distribution	3
Image 4 AM Dev Peak (07:00 - 08:00) Staff Trips	4
Image 5 AM Dev Peak (07:00 - 08:00) LGV Trips	5
Image 6 AM Dev Peak (07:00 - 08:00) HGV Trips	6
Image 7 AM Dev Peak (07:00 - 08:00) Total	7
Image 8 AM Network Peak (08:00 - 09:00) Staff Trips	8
Image 9 AM Network Peak (08:00 - 09:00) LGV Trips	9
Image 10 AM Network Peak (08:00 - 09:00) HGV Trips	10
Image 11 AM Network Peak (08:00 - 09:00) Total	11
Image 12 PM Network Peak (17:00 - 18:00) Staff Peak	12
Image 13 PM Network Peak (17:00 - 18:00) LGV Trips	13
Image 14 PM Network Peak (17:00 - 18:00) HGV Trips	14
Image 15 PM Network Peak (17:00 - 18:00) Total	15
Image 16 PM Dev Peak (18:00 - 19:00) Staff Trips	16
Image 17 PM Dev Peak (18:00 - 19:00) LGV Trips	17
Image 18 PM Dev Peak (18:00 - 19:00) HGV Trips	18
Image 19 PM Dev Peak (18:00 - 19:00) Total	19
Image 20 12 Hours (07:00 - 19:00) Staff Trips	20
Image 21 12 Hours (07:00 - 19:00) LGV Trips	21
Image 22 12 Hours (07:00 - 19:00) HGV Trips	22
Image 23 12 Hours (07:00 - 19:00) Total	23

---

# Sea Link

## Document control

---

### Document Properties

---

<b>Organisation</b>	AECOM
<b>Author</b>	AECOM
<b>Approved by</b>	AECOM
<b>Title</b>	Preliminary Environmental Information Report Kent Chapter 8 Appendix 3.8.E Traffic Flow Diagrams
<b>Data Classification</b>	Public

---

---

### Version History

---

<b>Date</b>	<b>Version</b>	<b>Status</b>	<b>Description / Changes</b>
24/10/2023	A	FINAL	First issue

---

# 3.8.E Appendix 3.8.E – Construction Worker Trip Distribution

Image 1 Staff Distribution

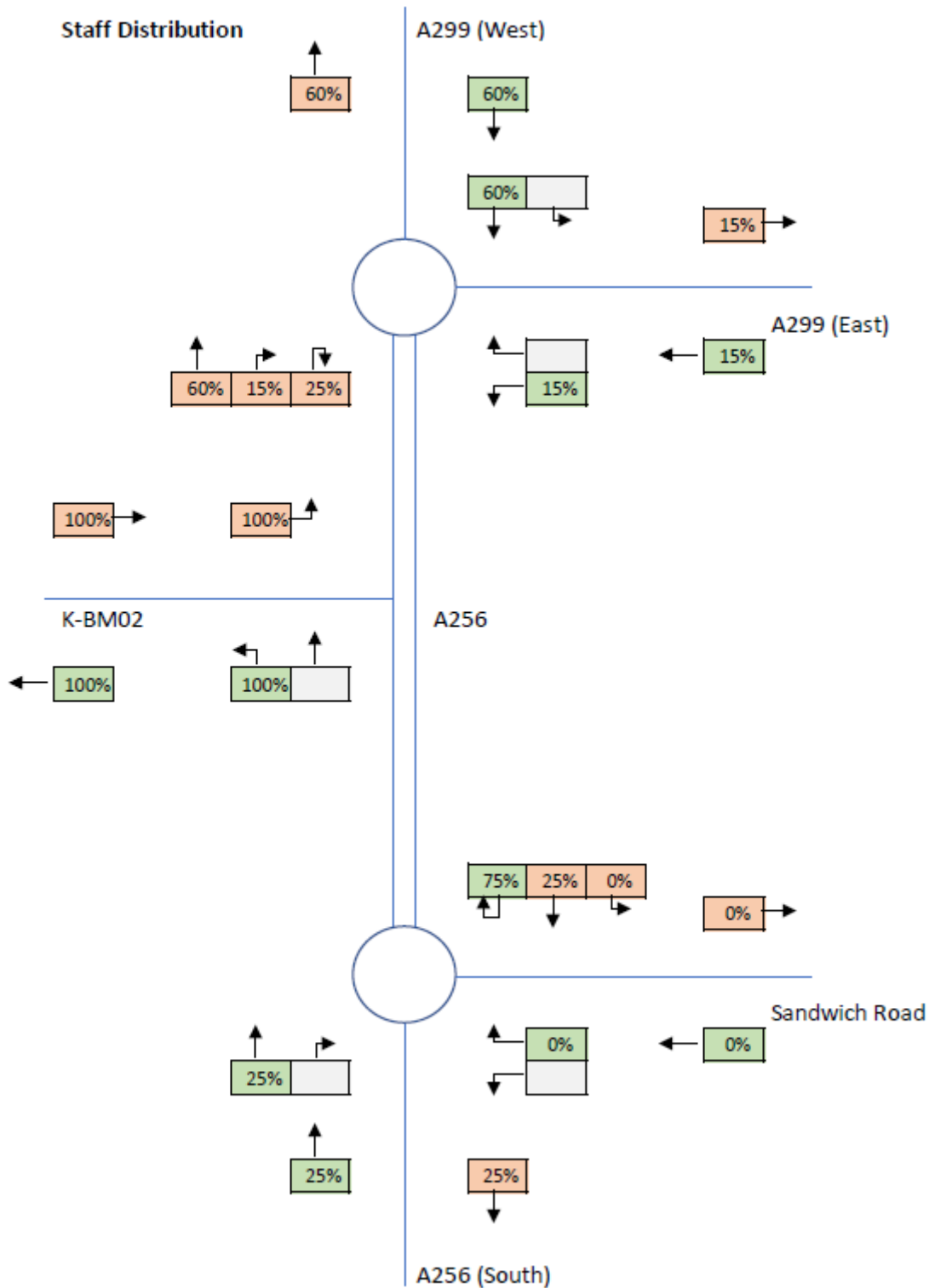


Image 2 LGV Distribution

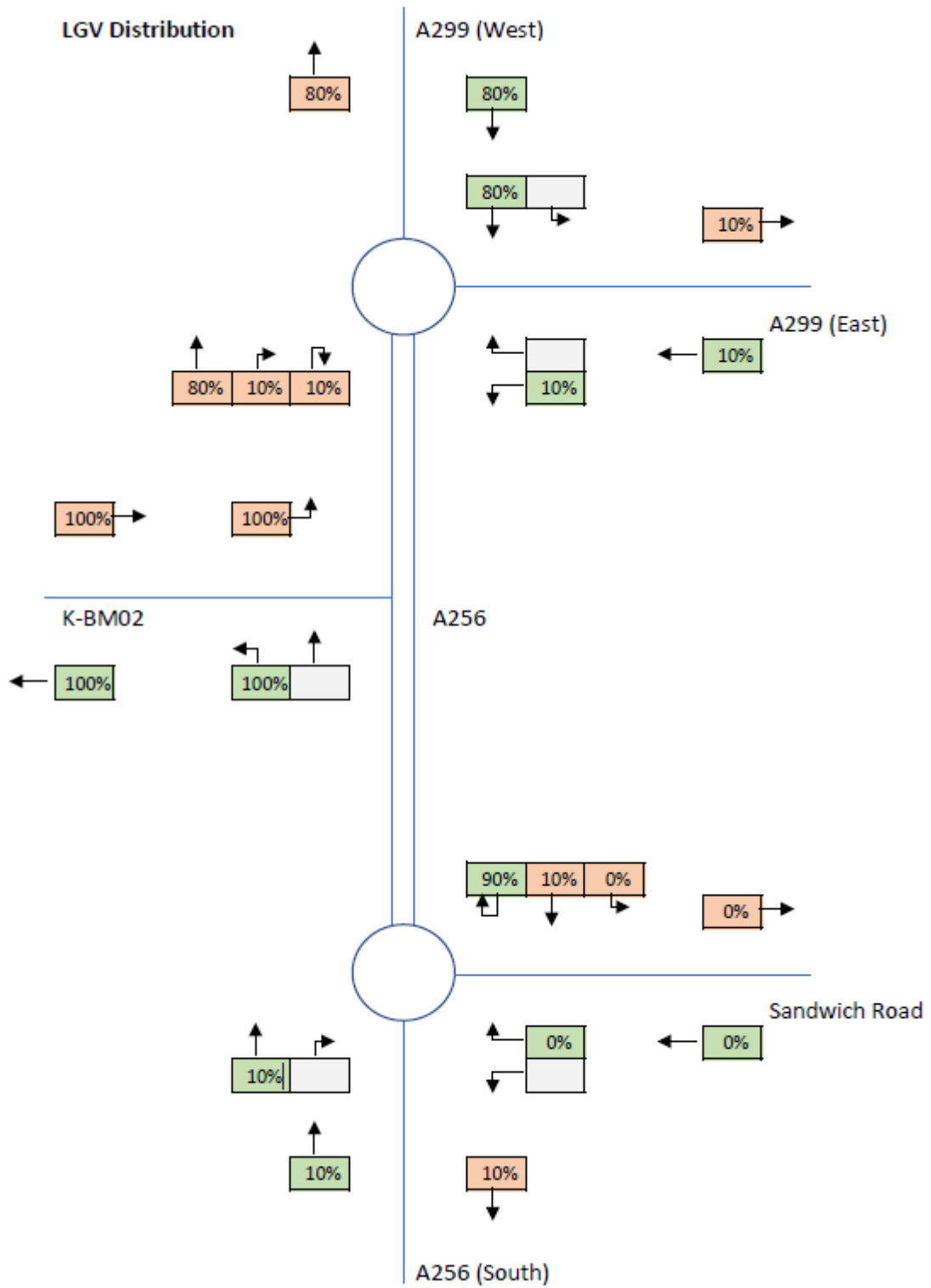


Image 3 HGV Distribution

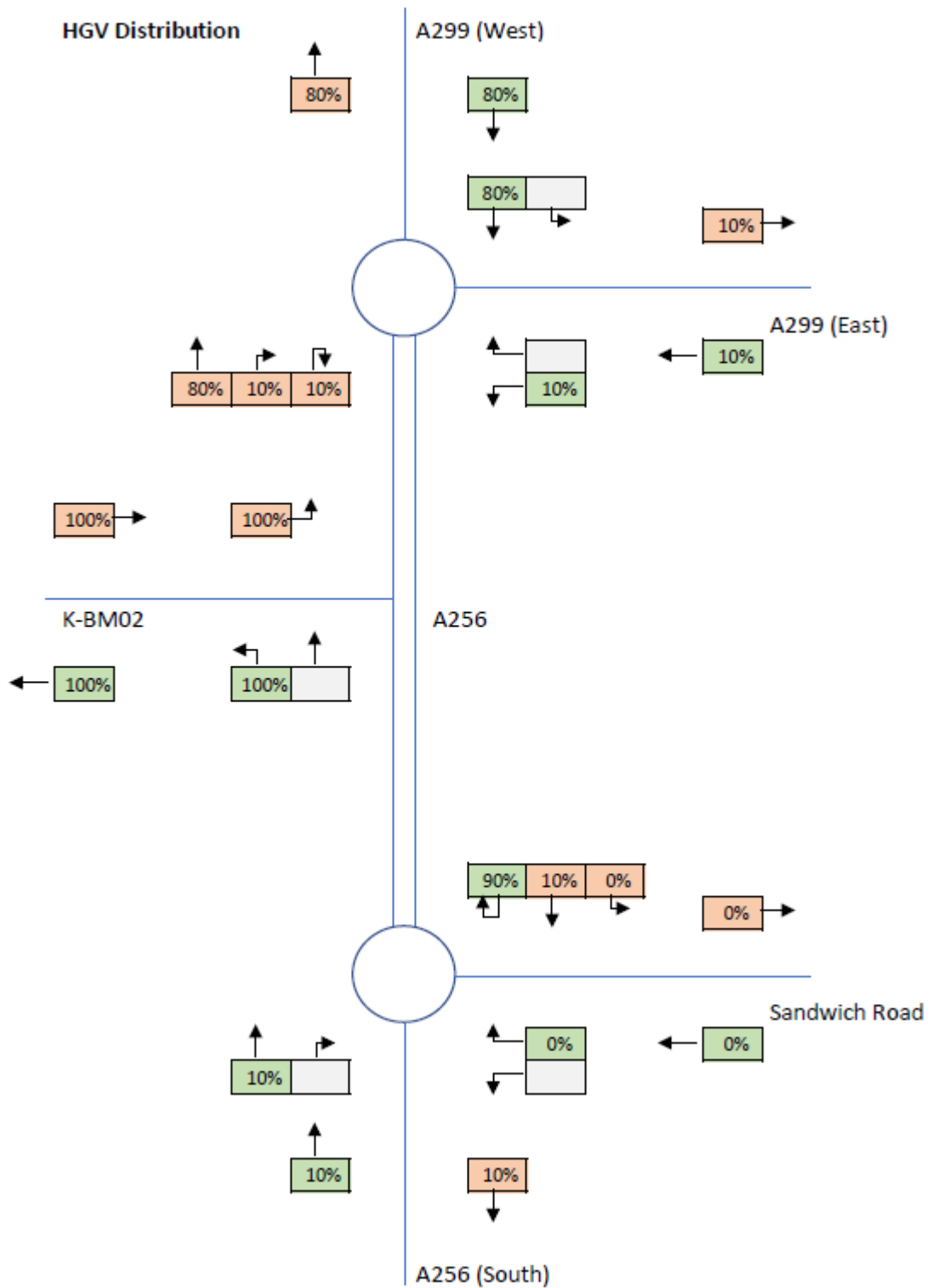


Image 4 AM Dev Peak (07:00 - 08:00) Staff Trips

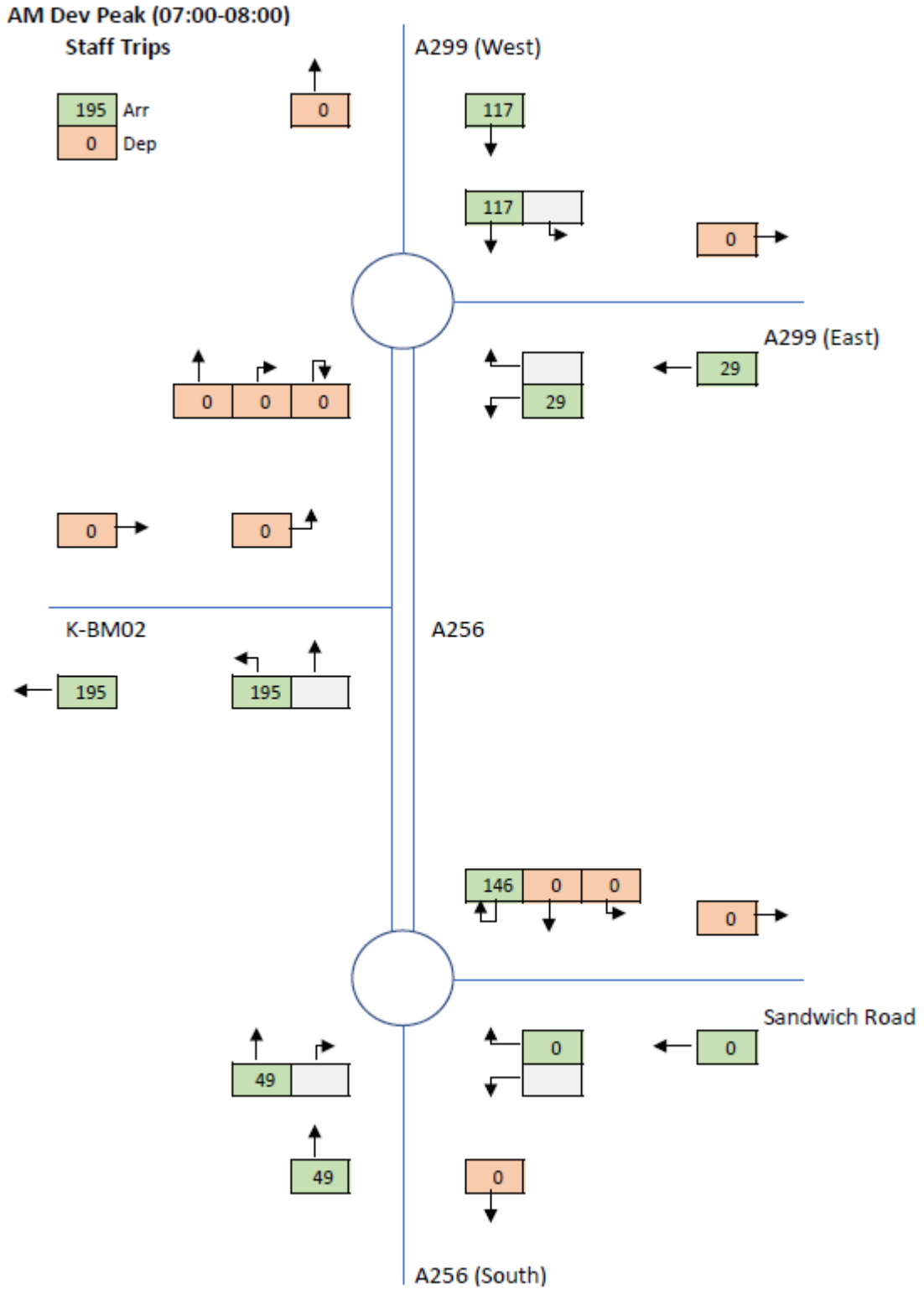




Image 5 AM Dev Peak (07:00 - 08:00) LGV Trips

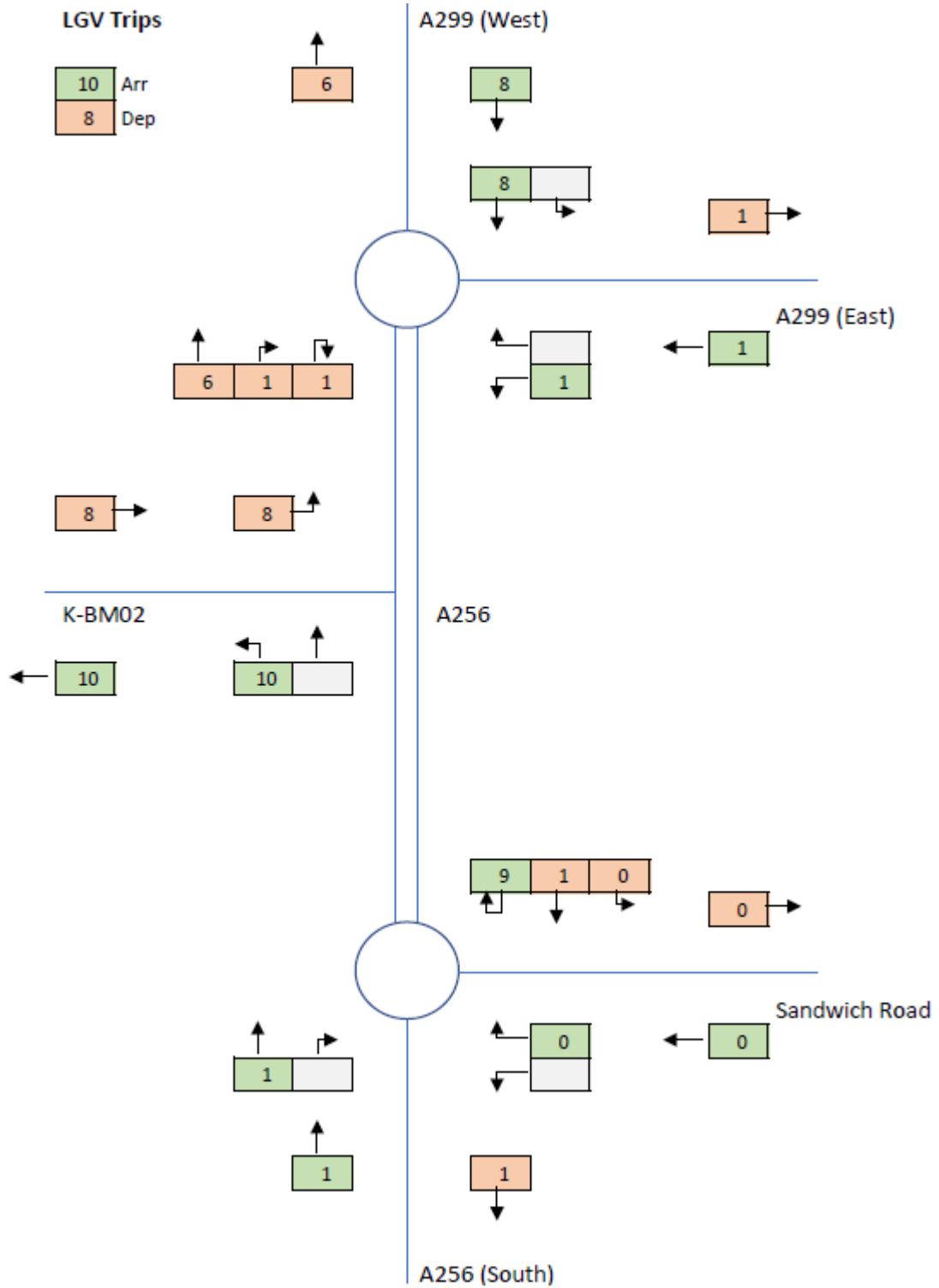


Image 6 AM Dev Peak (07:00 - 08:00) HGV Trips

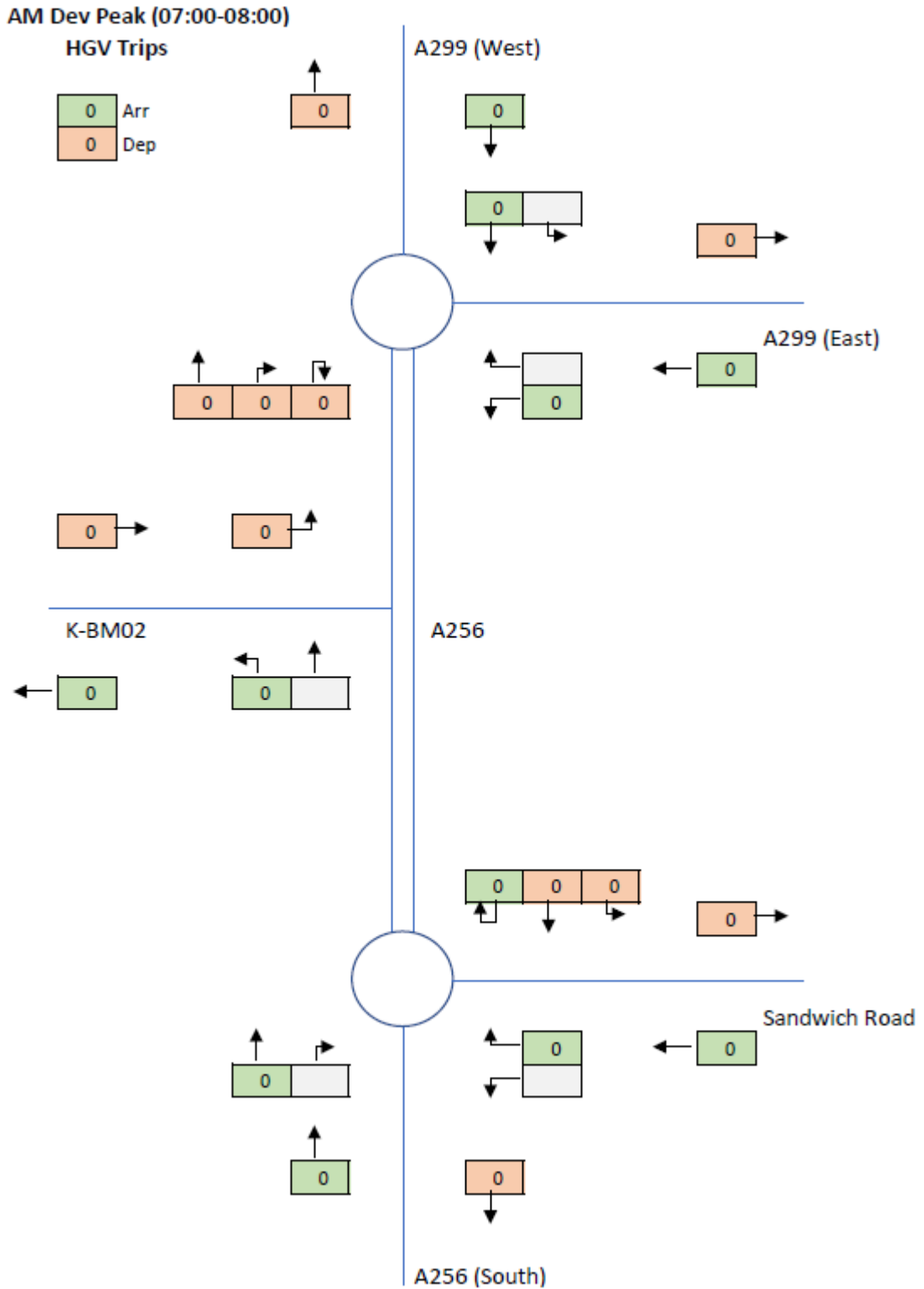


Image 7 AM Dev Peak (07:00 - 08:00) Total

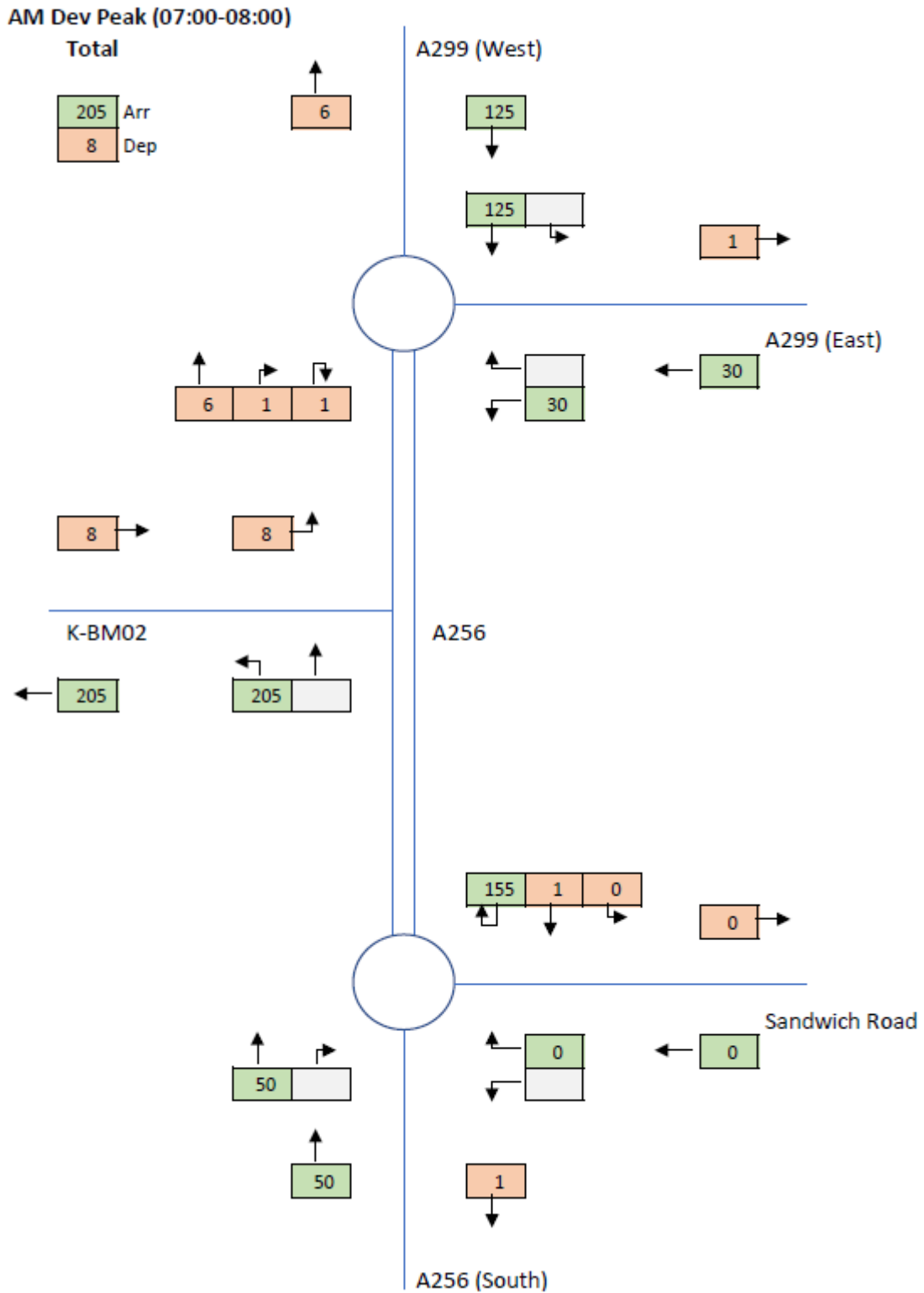


Image 8 AM Network Peak (08:00 - 09:00) Staff Trips

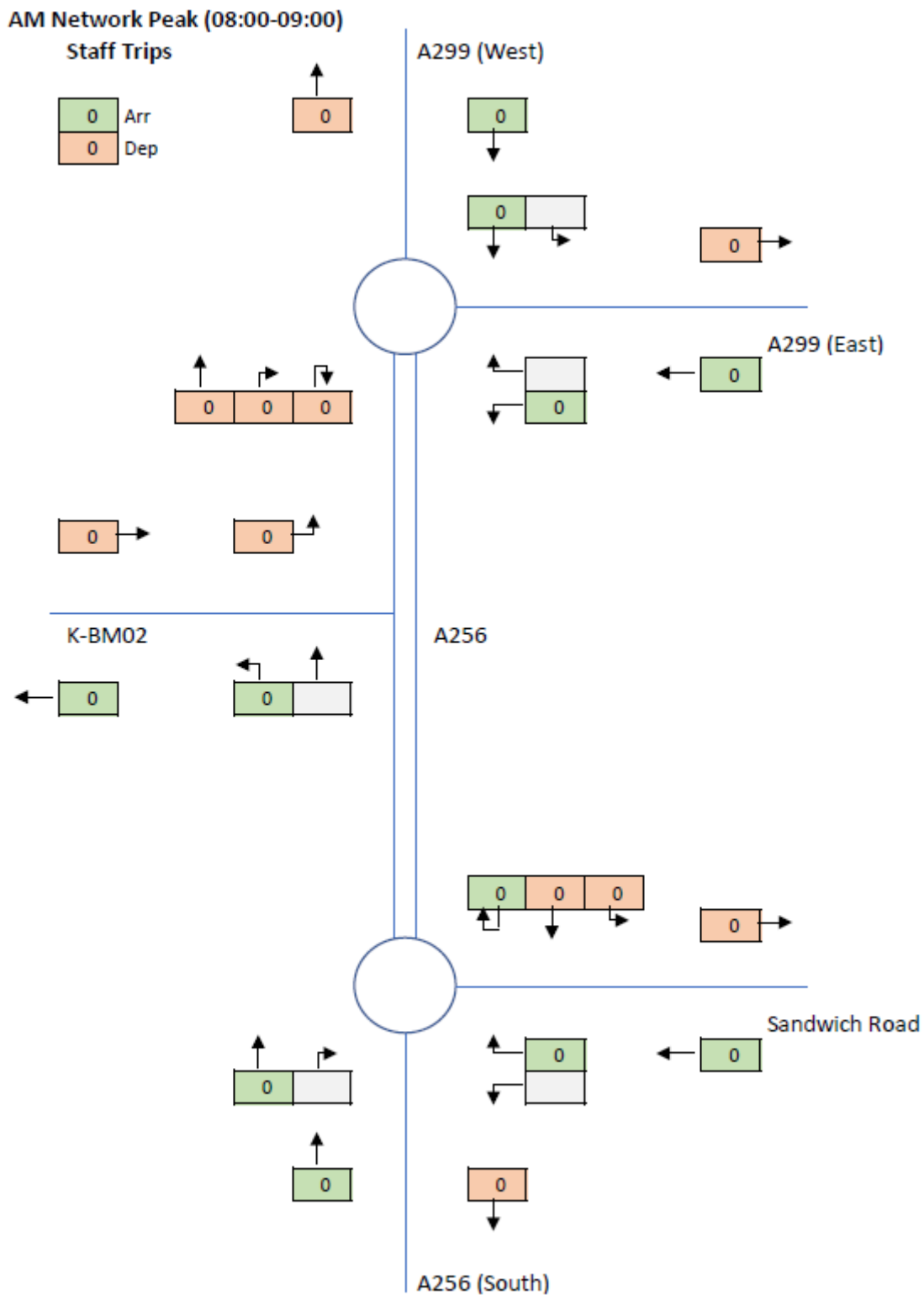


Image 9 AM Network Peak (08:00 - 09:00) LGV Trips

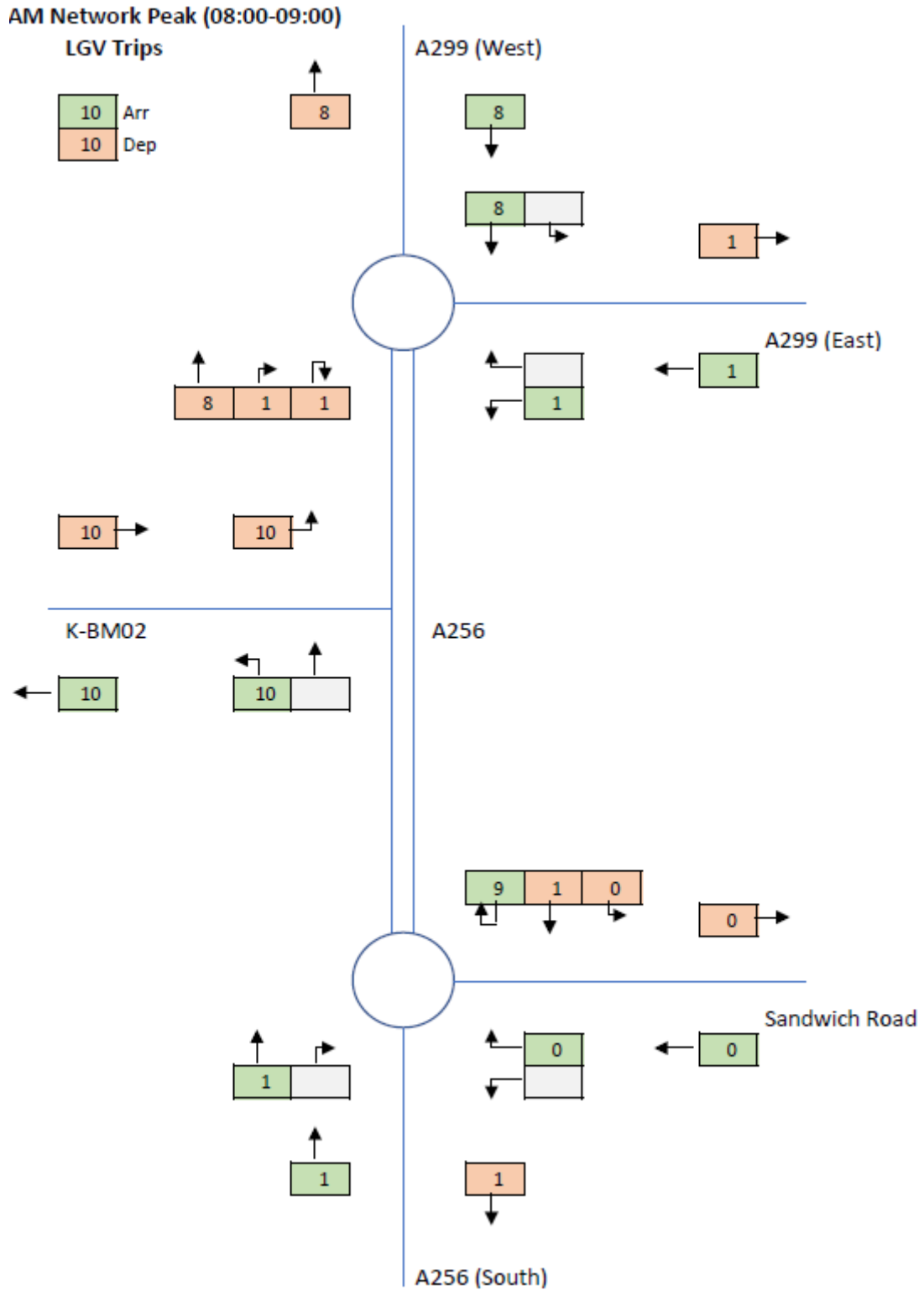


Image 10 AM Network Peak (08:00 - 09:00) HGV Trips

AM Network Peak (08:00-09:00)

HGV Trips

14	Arr
14	Dep

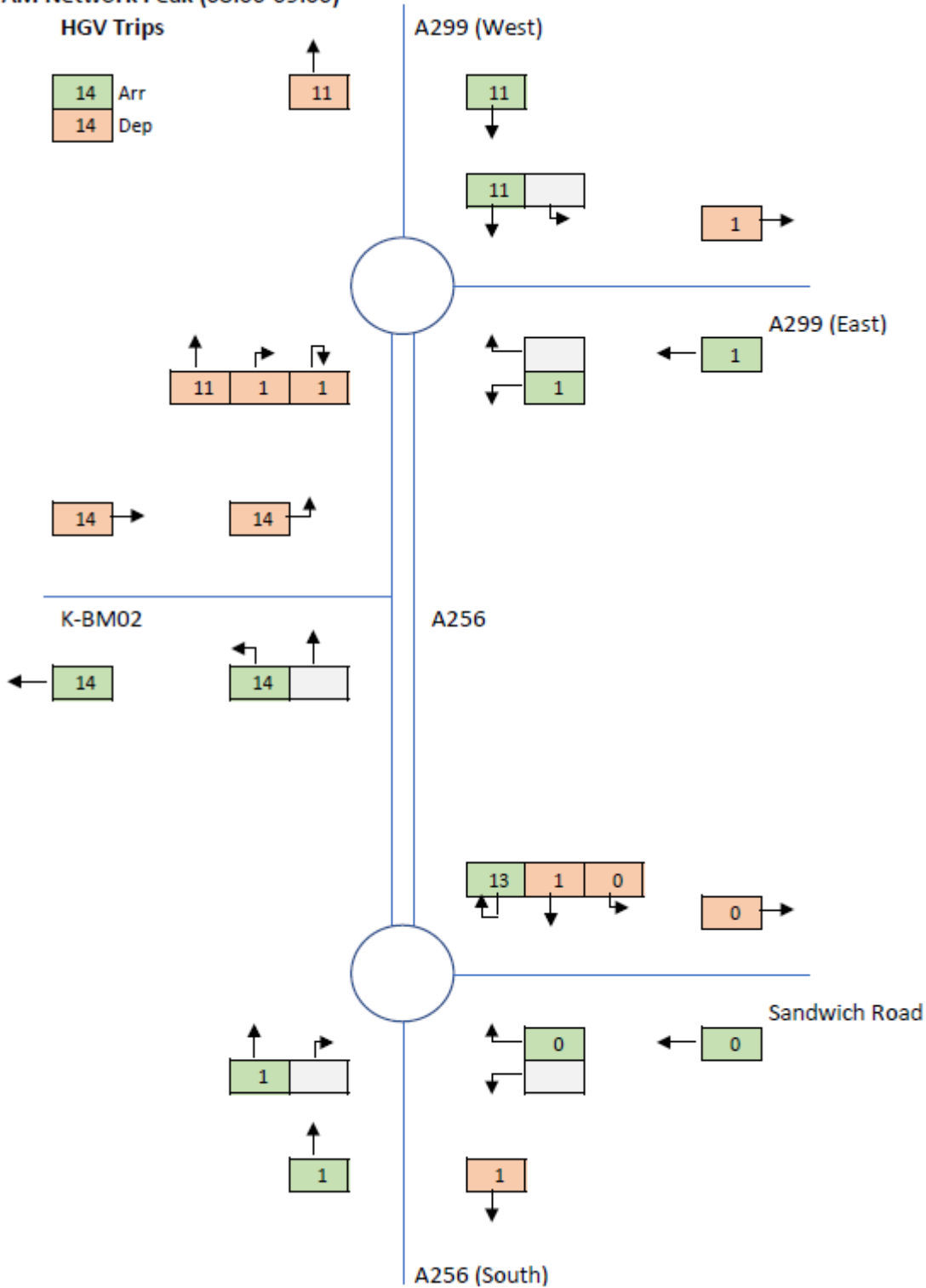


Image 11 AM Network Peak (08:00 - 09:00) Total

AM Network Peak (08:00-09:00)

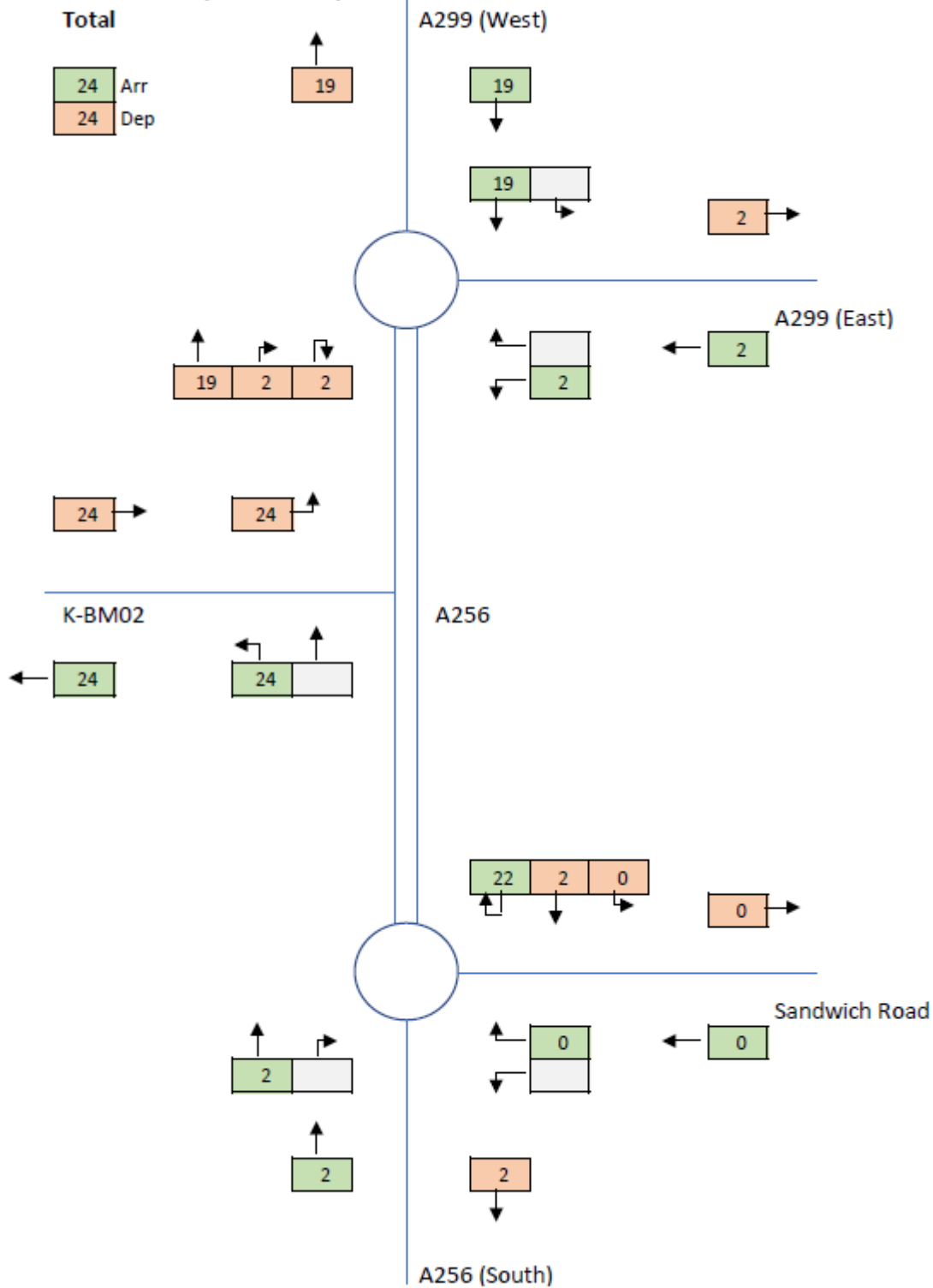


Image 12 PM Network Peak (17:00 - 18:00) Staff Peak

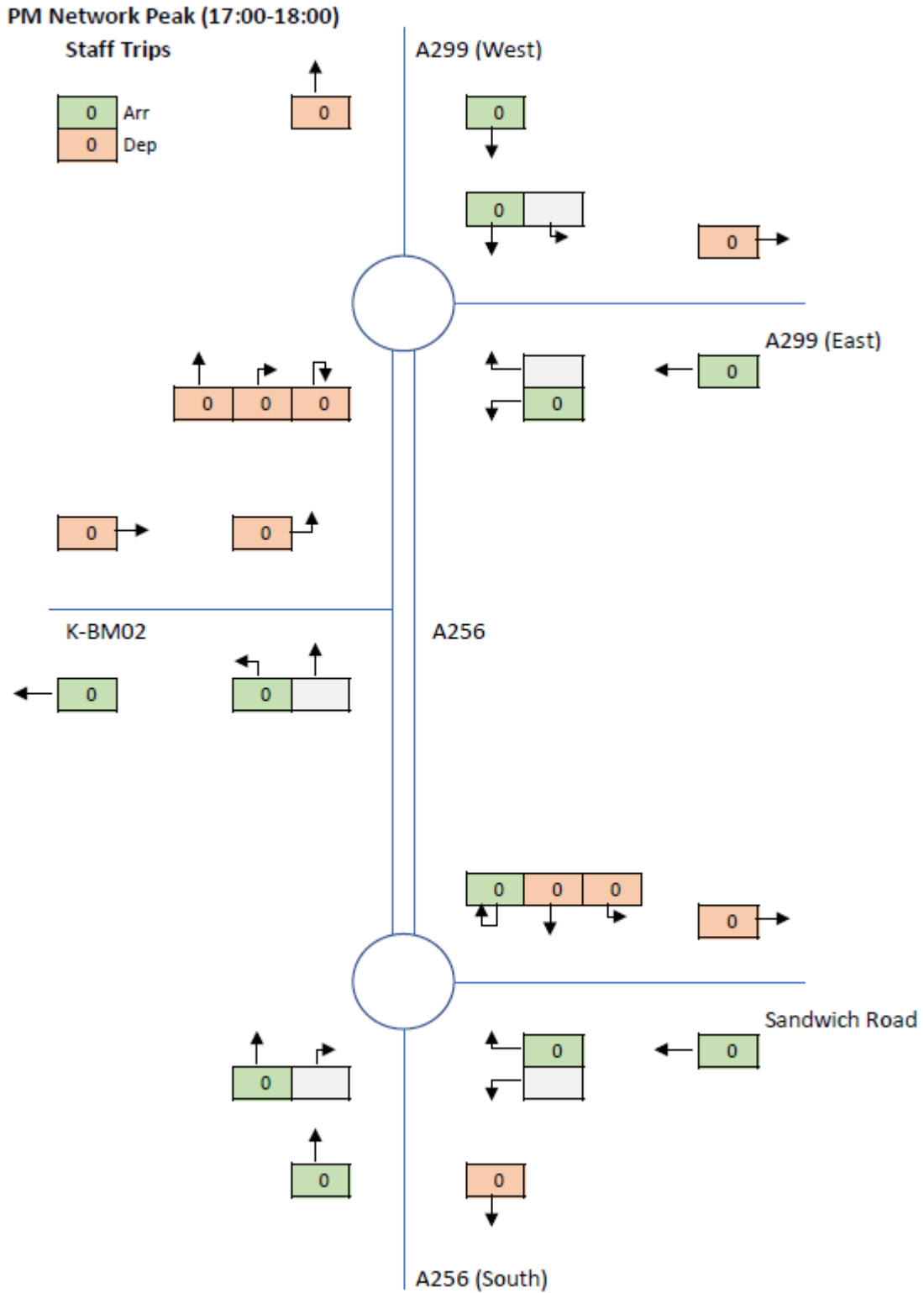




Image 13 PM Network Peak (17:00 - 18:00) LGV Trips

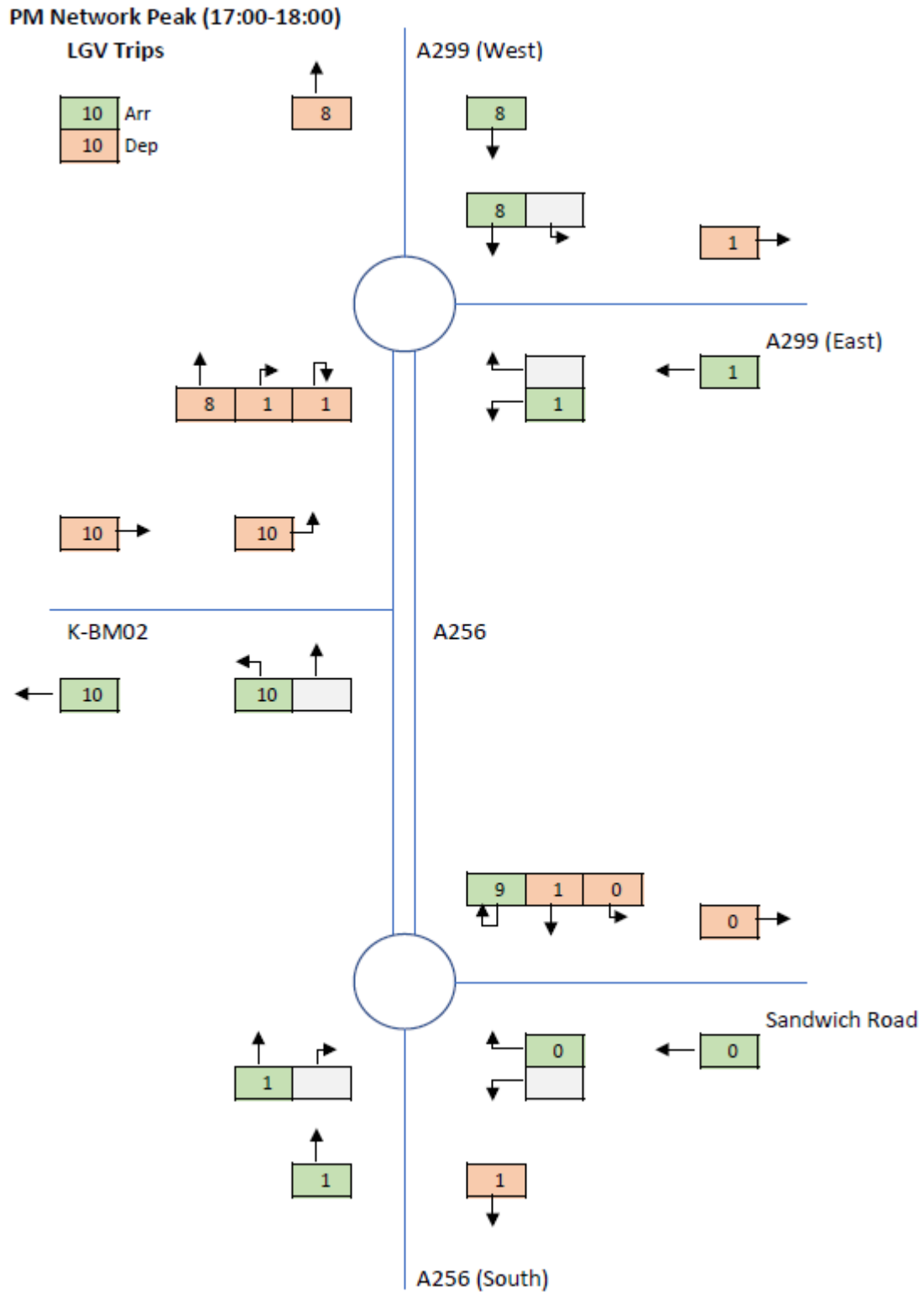


Image 14 PM Network Peak (17:00 - 18:00) HGV Trips

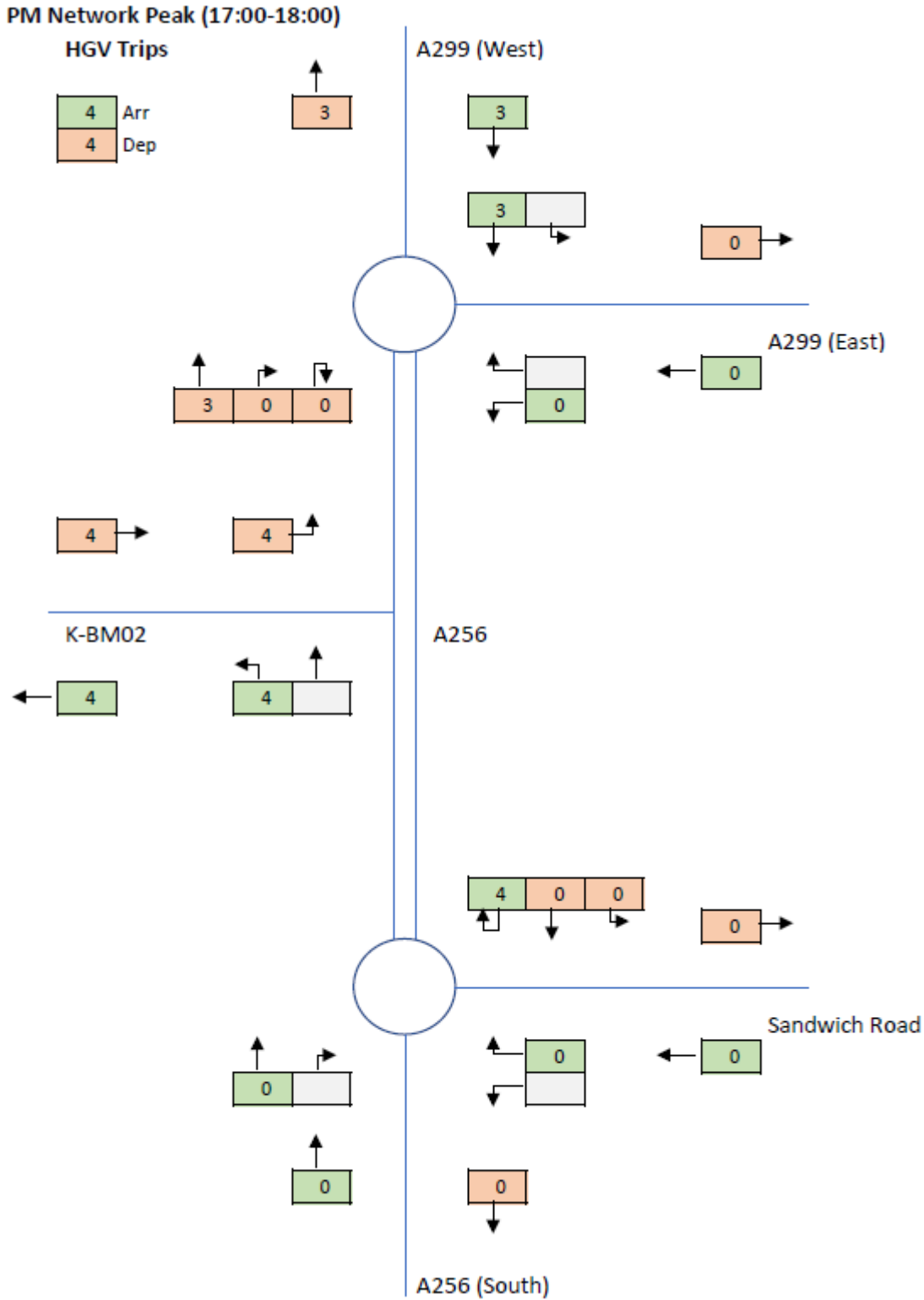


Image 15 PM Network Peak (17:00 - 18:00) Total

PM Network Peak (17:00-18:00)

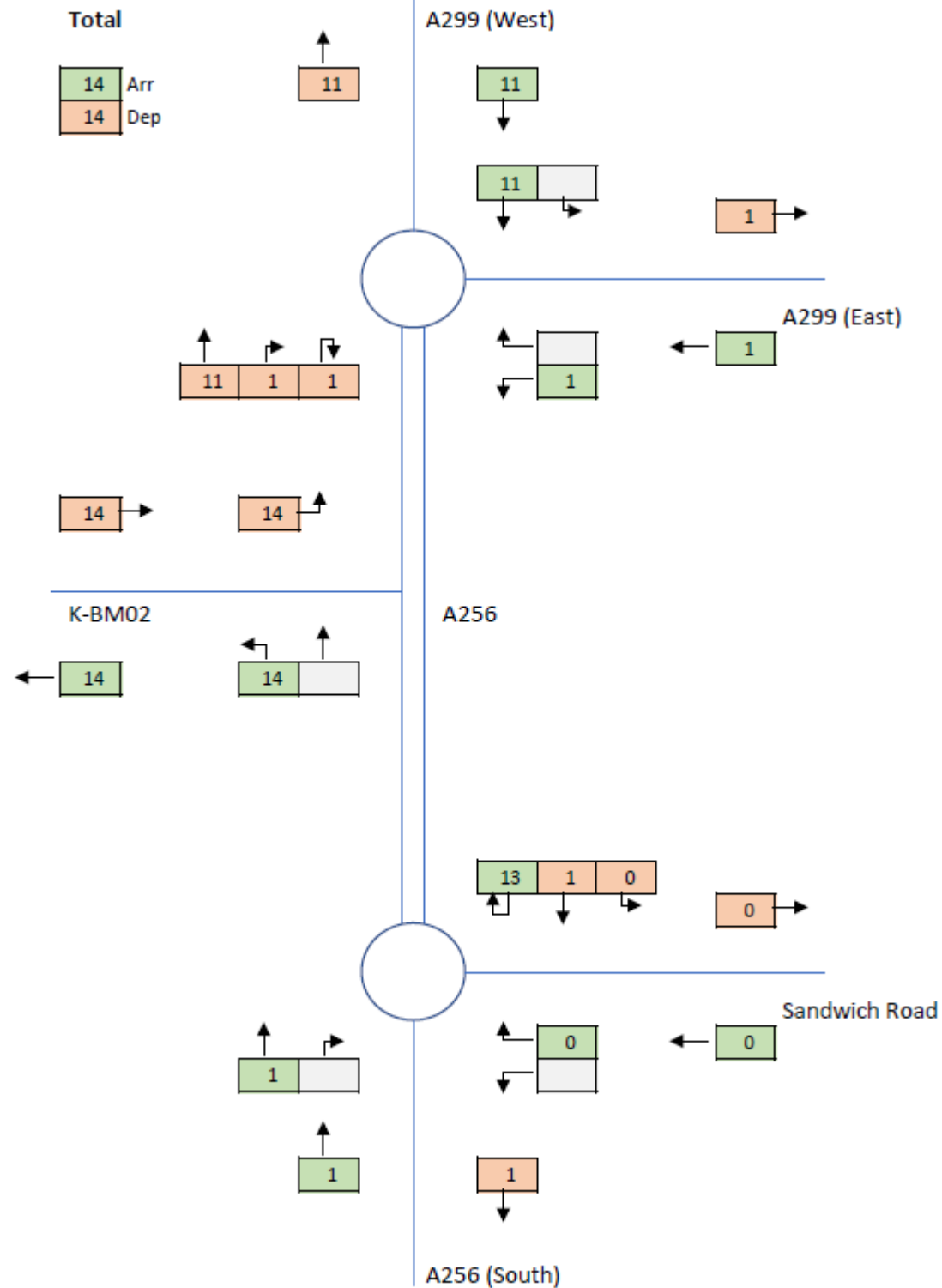


Image 16 PM Dev Peak (18:00 - 19:00) Staff Trips

PM Dev Peak (18:00-19:00)

Staff Trips

0	Arr
195	Dep

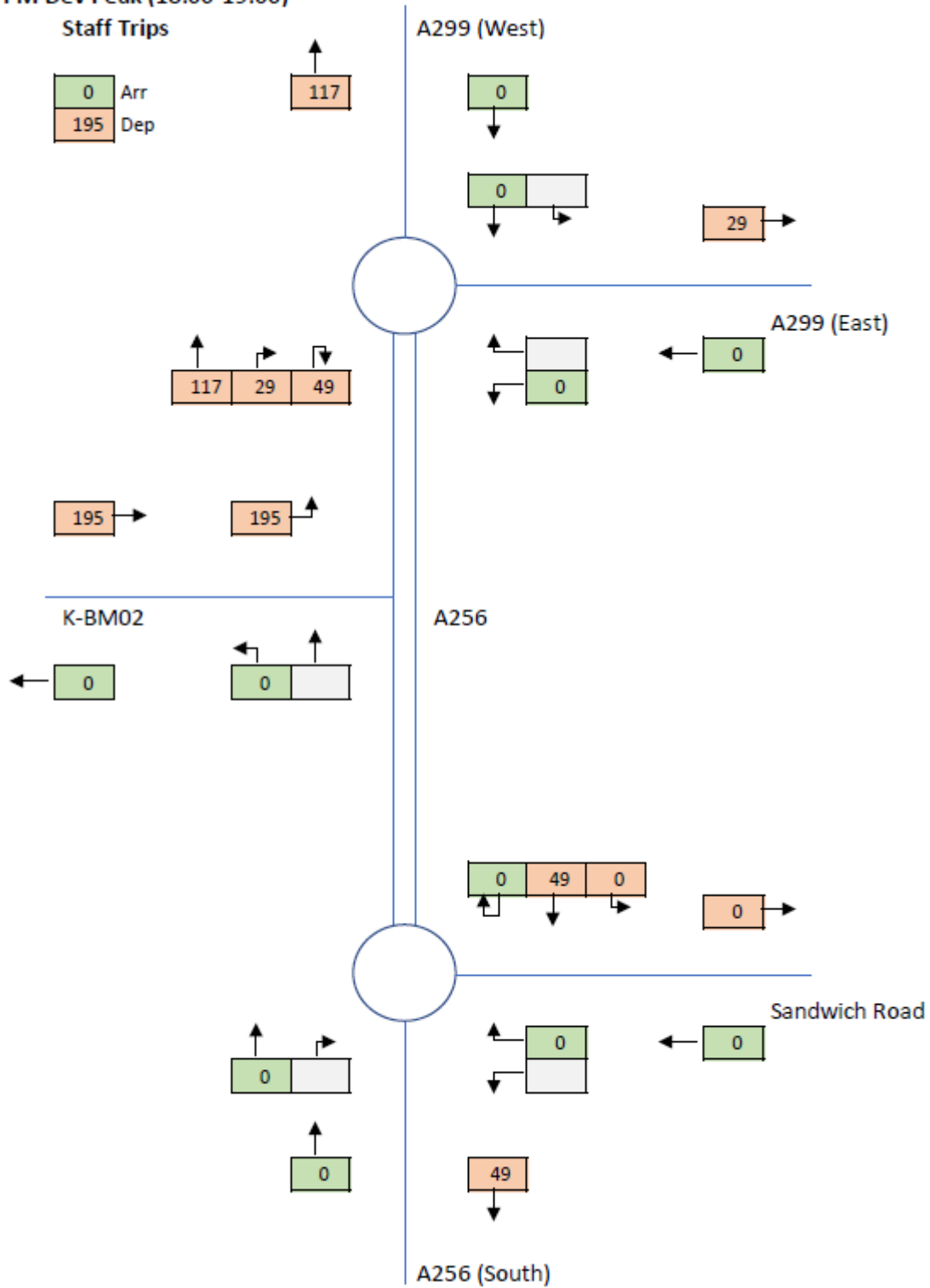


Image 17 PM Dev Peak (18:00 - 19:00) LGV Trips

PM Dev Peak (18:00-19:00)

LGV Trips

8	Arr
10	Dep

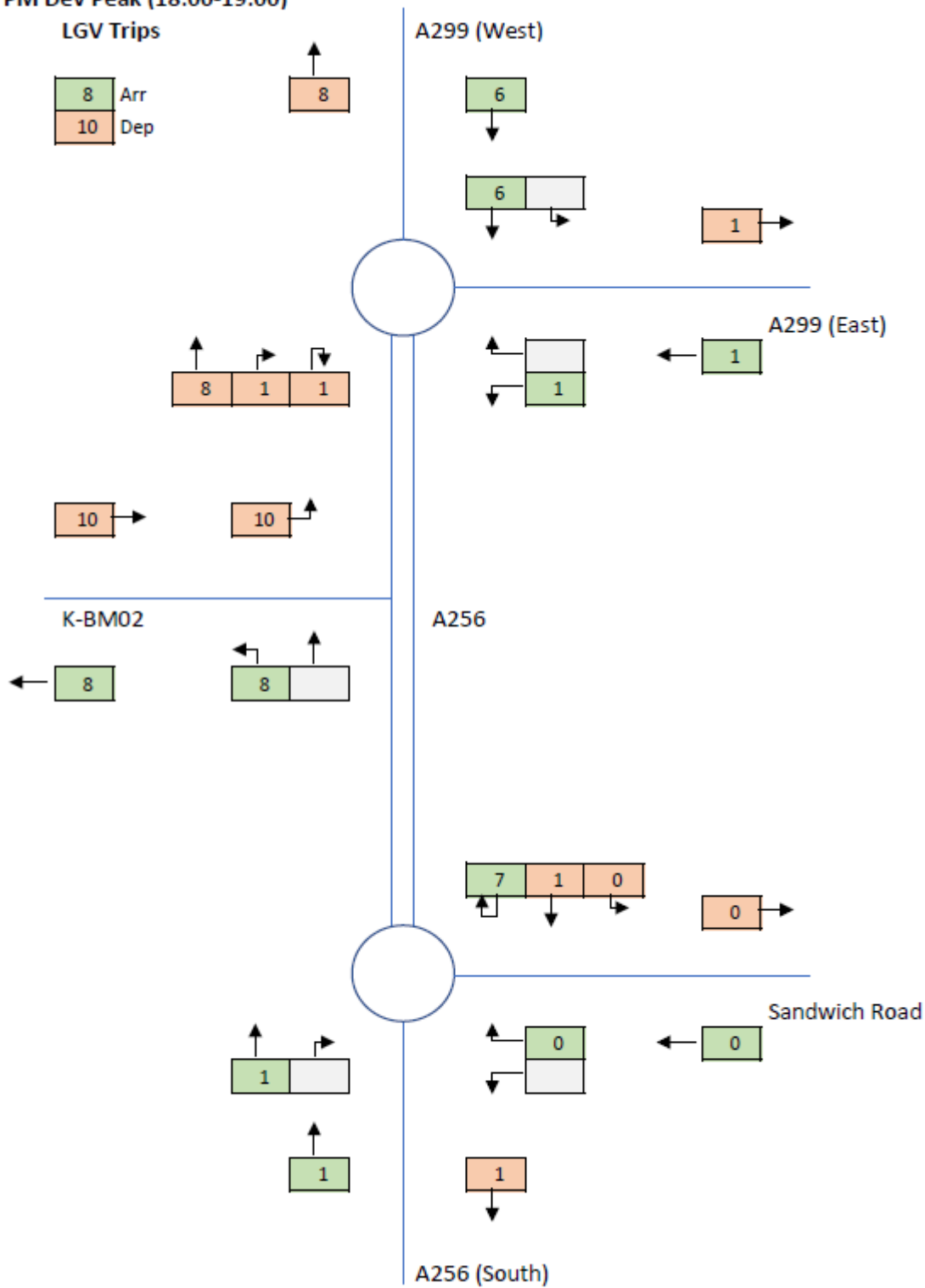
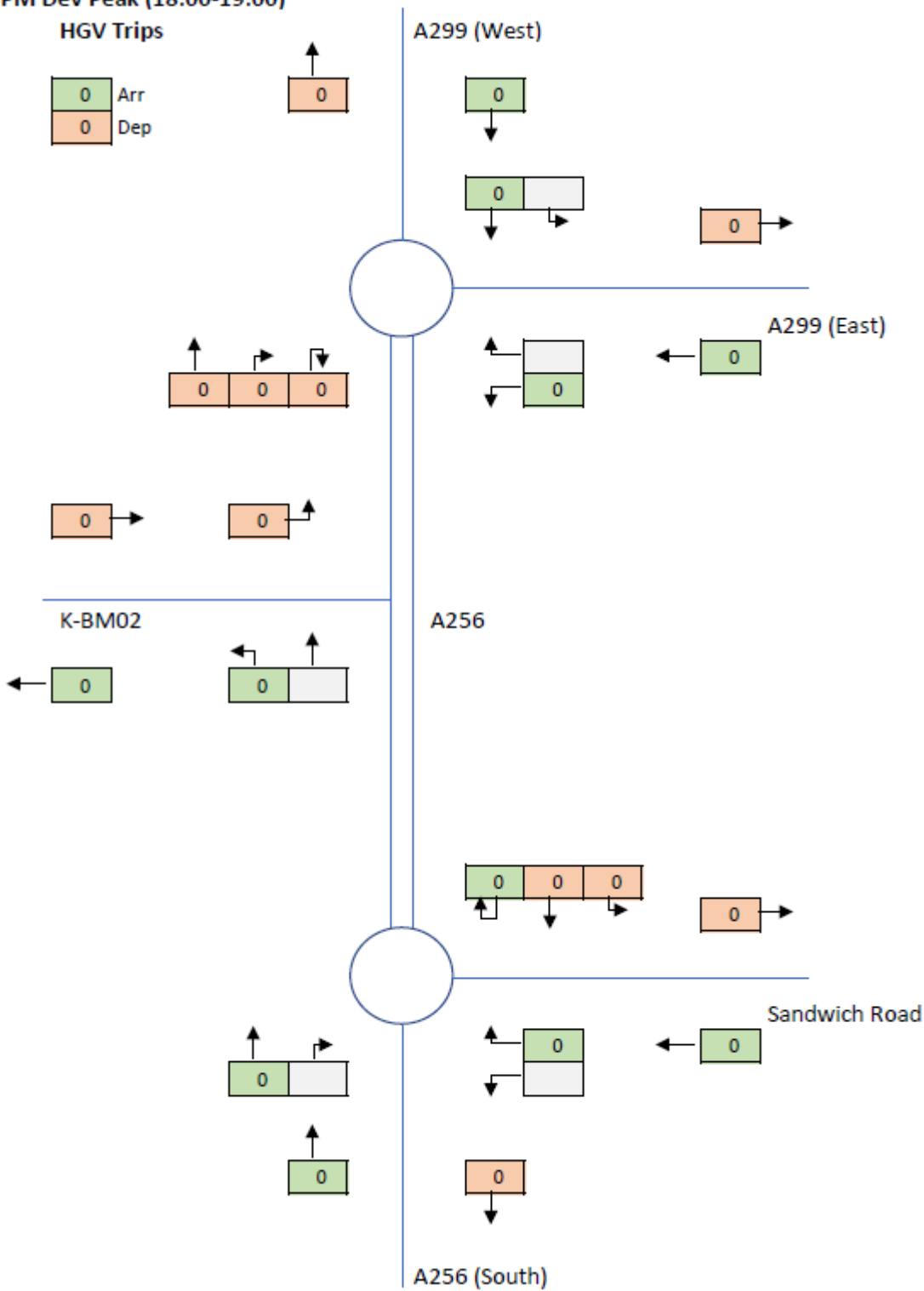
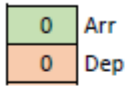


Image 18 PM Dev Peak (18:00 - 19:00) HGV Trips

PM Dev Peak (18:00-19:00)

HGV Trips



### Image 19 PM Dev Peak (18:00 - 19:00) Total

PM Dev Peak (18:00-19:00)

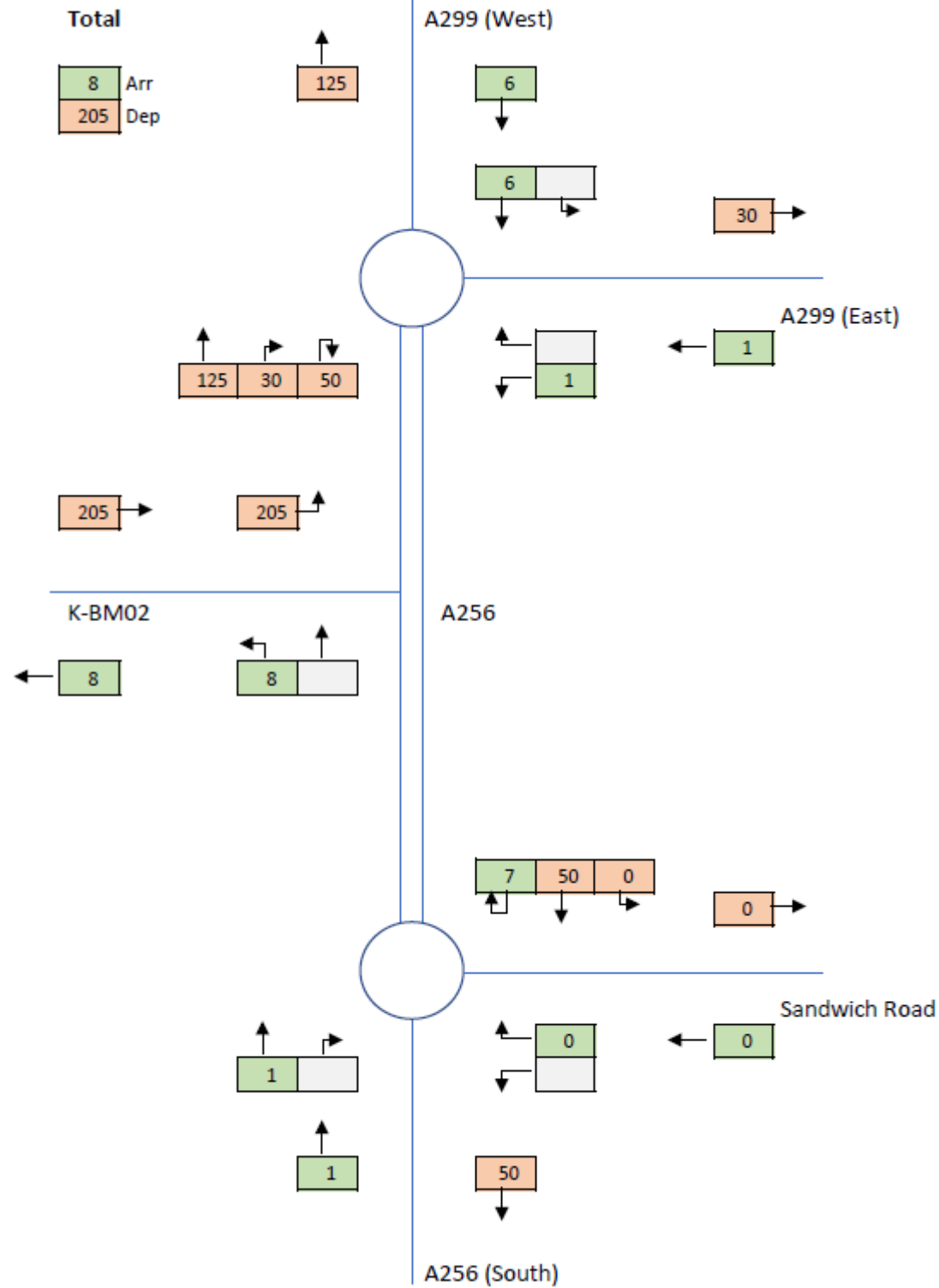


Image 20 12 Hours (07:00 - 19:00) Staff Trips

12 Hours (07:00-19:00)

Staff Trips

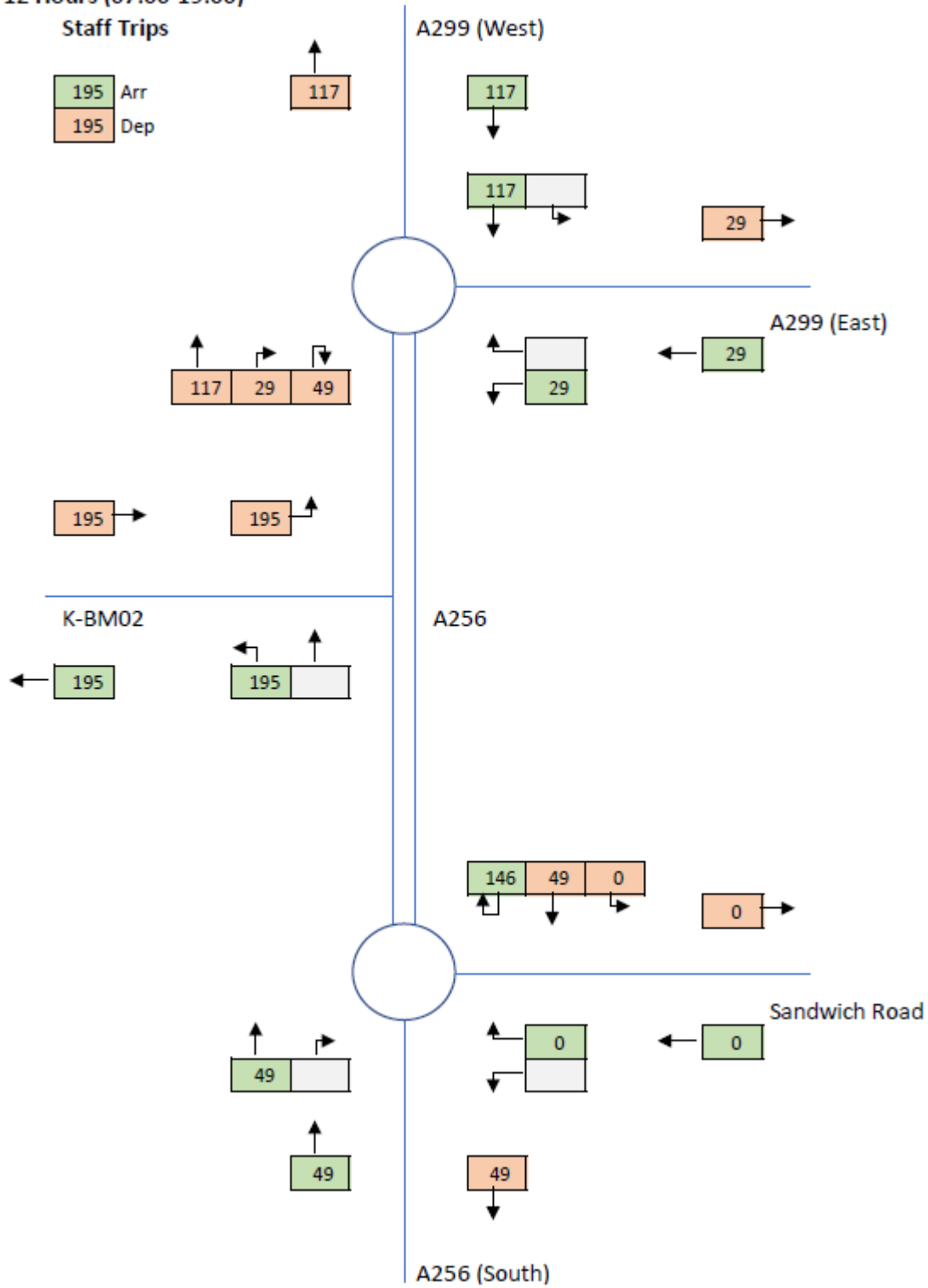
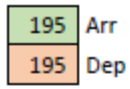




Image 21 12 Hours (07:00 - 19:00) LGV Trips

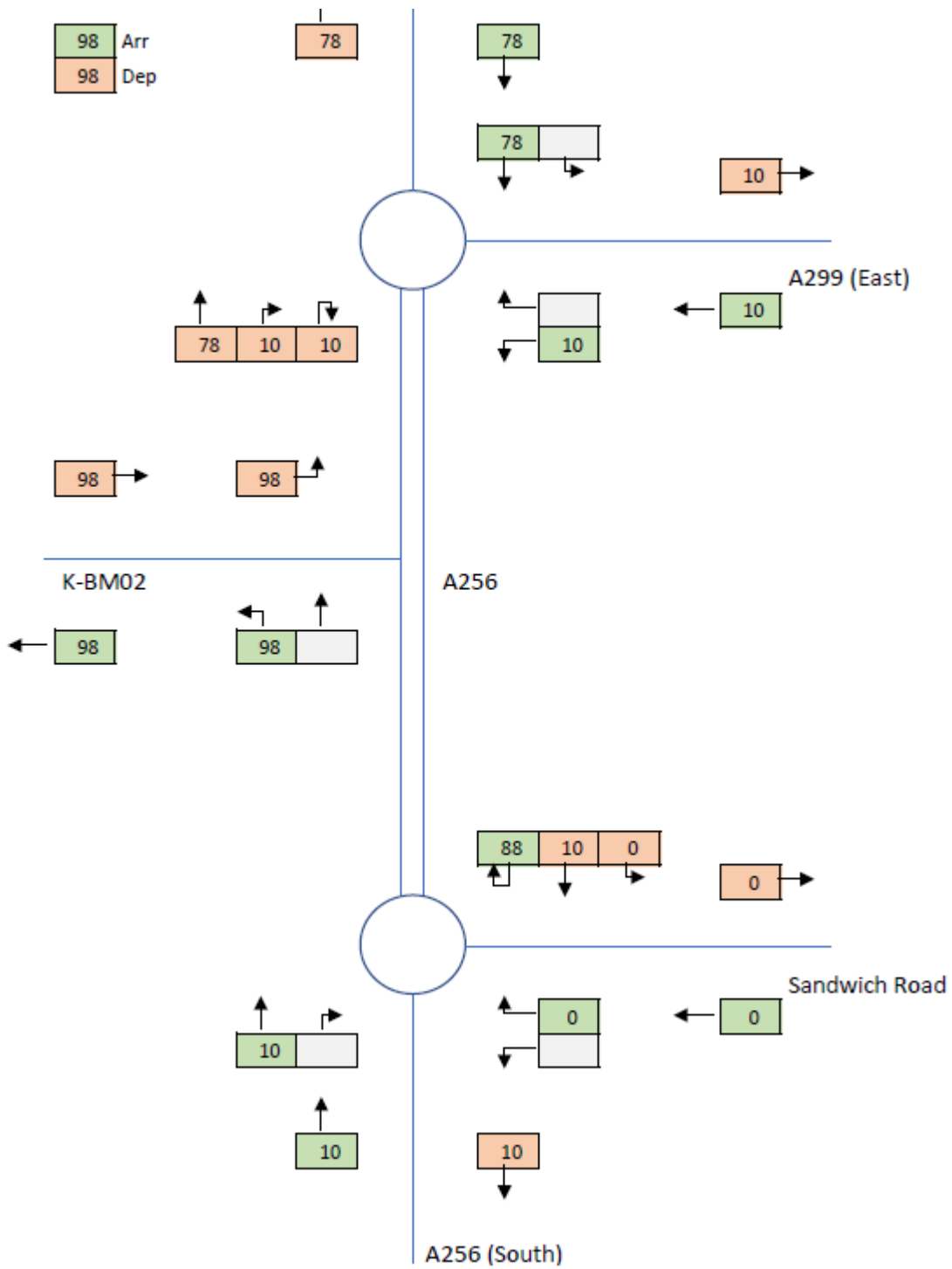


Image 22 12 Hours (07:00 - 19:00) HGV Trips

12 Hours (07:00-19:00)

HGV Trips

122 Arr  
122 Dep

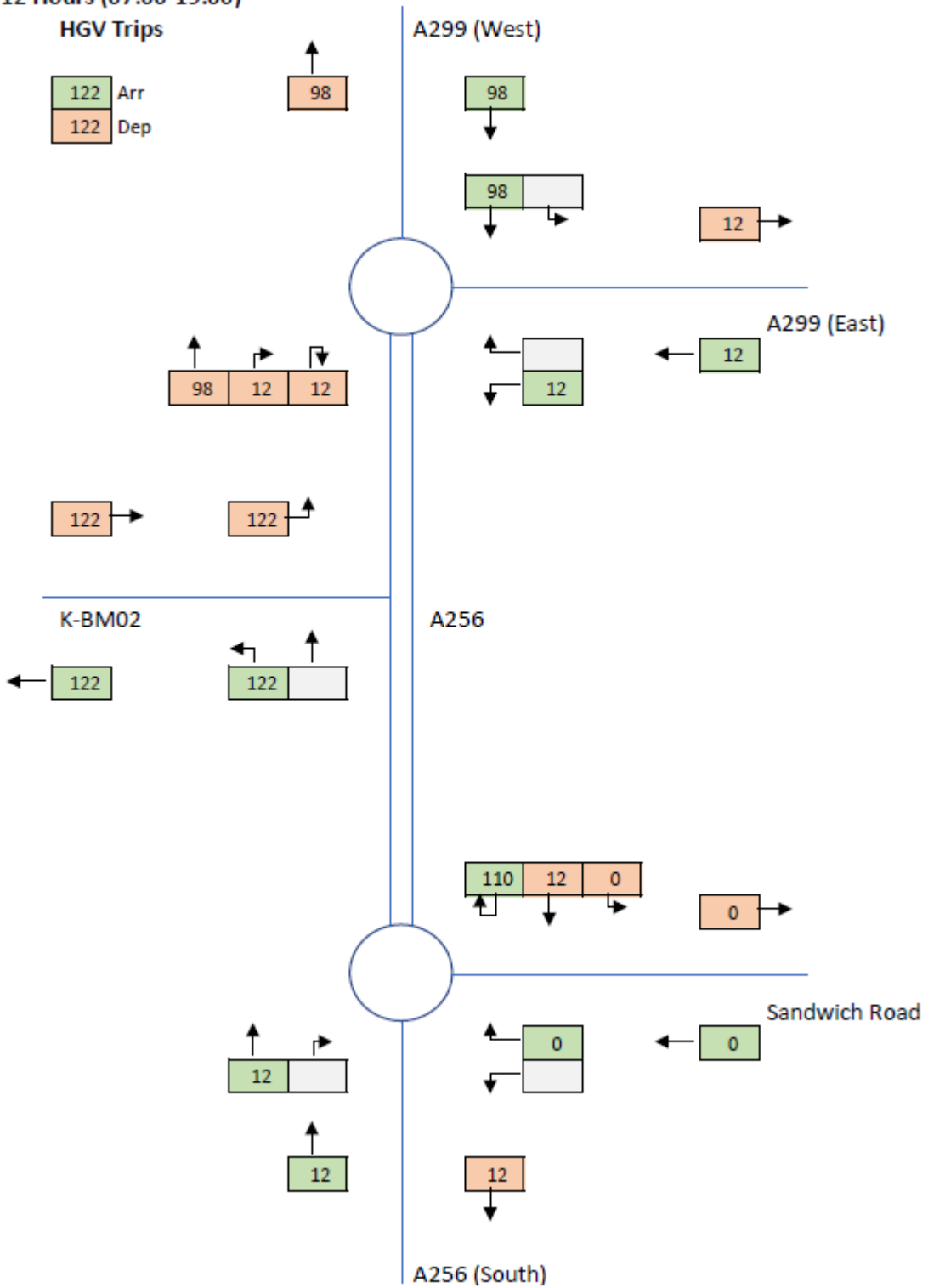
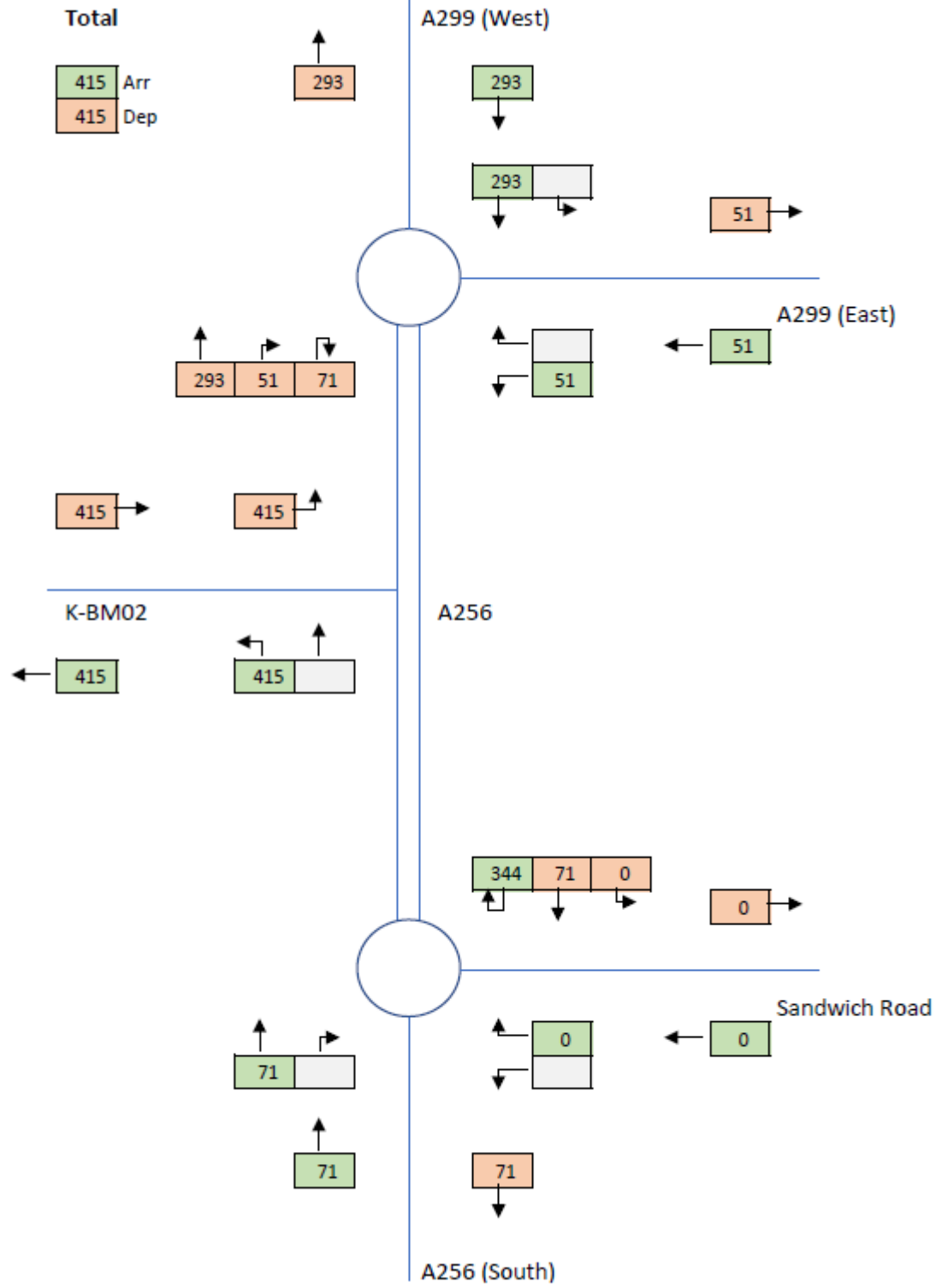


Image 23 12 Hours (07:00 - 19:00) Total

12 Hours (07:00-19:00)



National Grid plc  
National Grid House,  
Warwick Technology Park,  
Gallows Hill, Warwick.  
CV34 6DA United Kingdom

Registered in England and Wales  
No. 4031152  
[nationalgrid.com](http://nationalgrid.com)