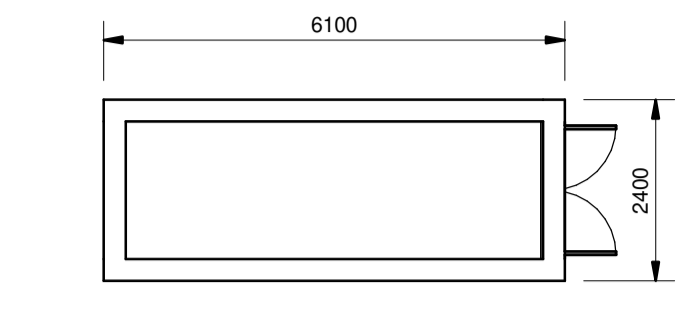


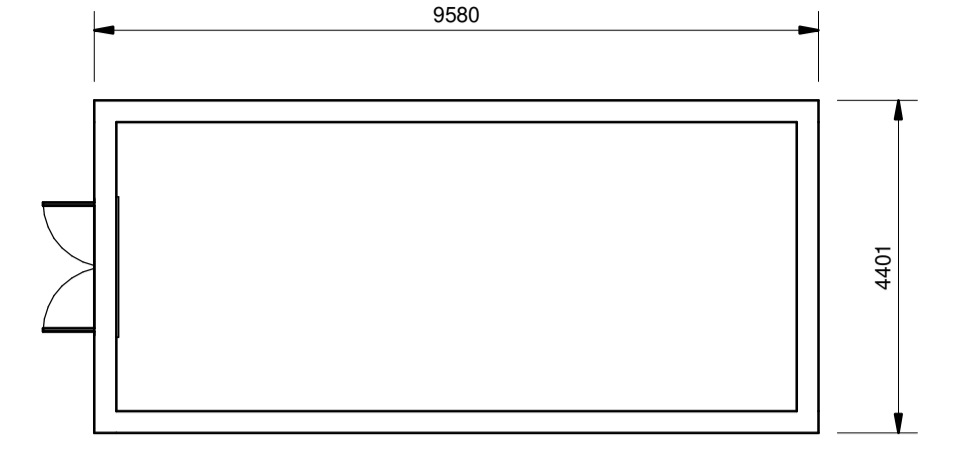
Notes:
 1. All dimensions are in millimetres unless noted otherwise.
 2. All levels and chainages are in metres unless noted otherwise.



Storage - Floor Plan
SCALE 1 : 100



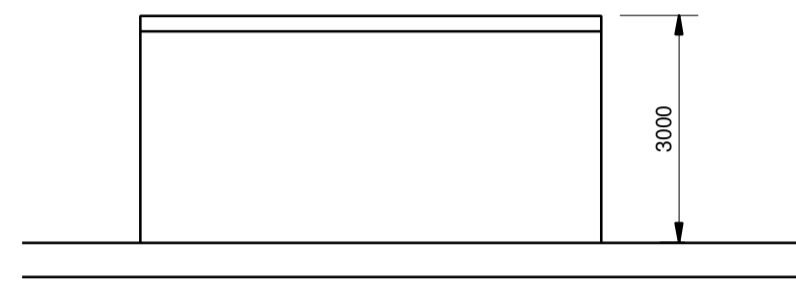
Storage - Roof Plan
SCALE 1 : 100



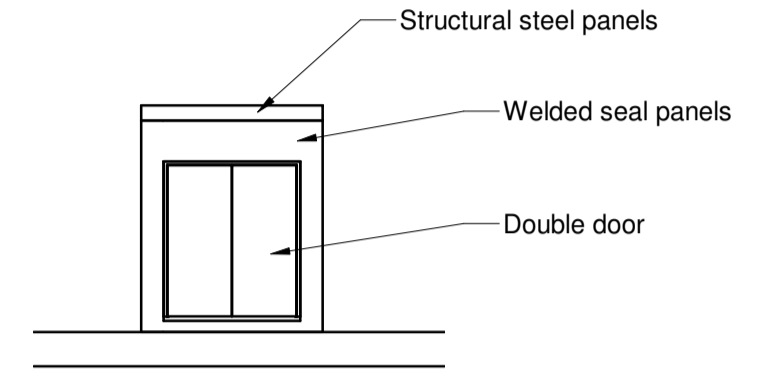
Telecoms Control Room - Floor Plan
SCALE 1 : 100



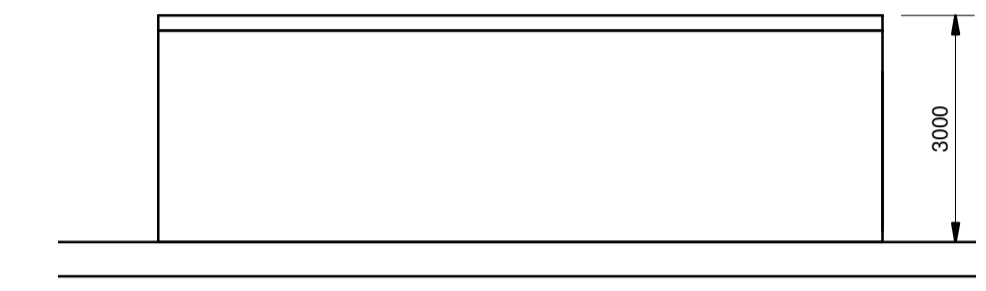
Telecoms Control Room - Roof Plan
SCALE 1 : 100



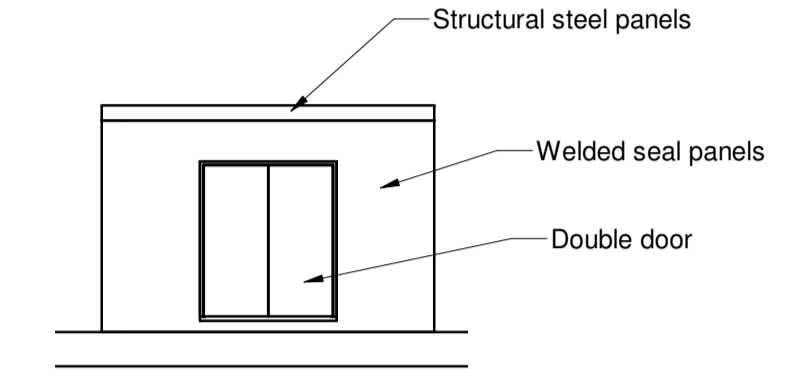
North Elevation
SCALE 1 : 100



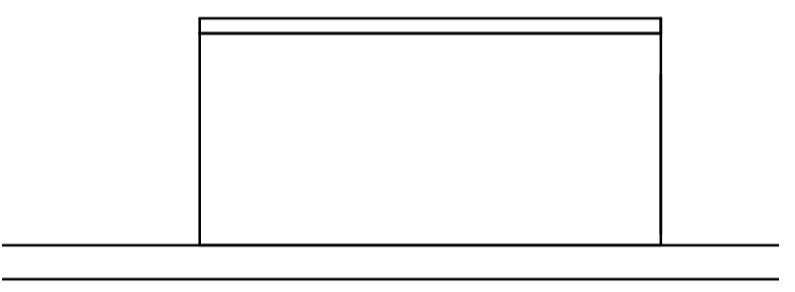
West Elevation
SCALE 1 : 100



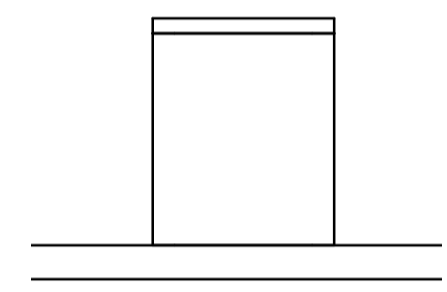
North Elevation
SCALE 1 : 100



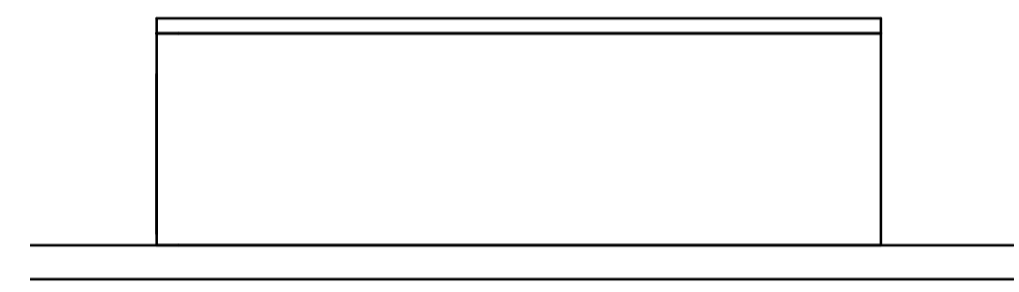
East Elevation
SCALE 1 : 100



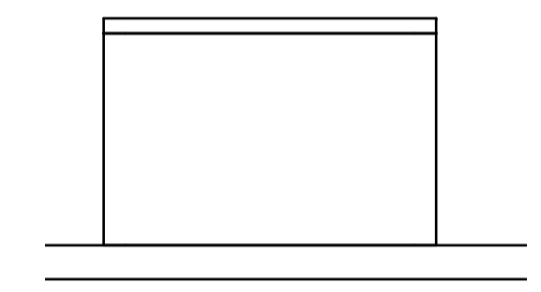
South Elevation
SCALE 1 : 100



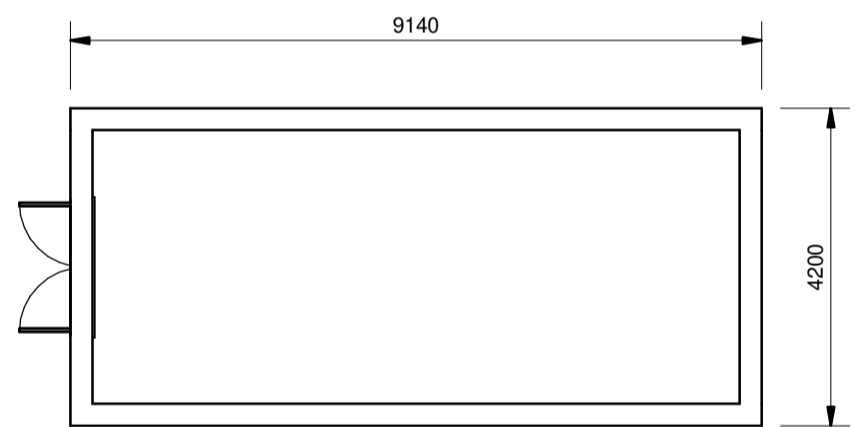
East Elevation
SCALE 1 : 100



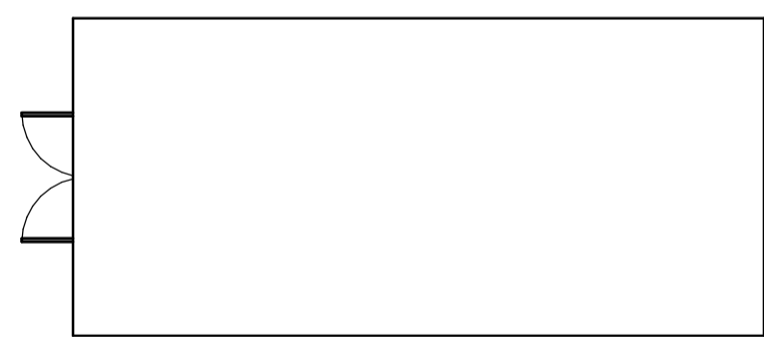
South Elevation
SCALE 1 : 100



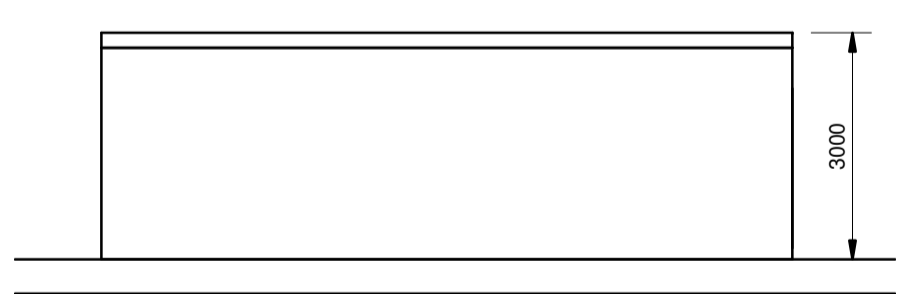
West Elevation
SCALE 1 : 100



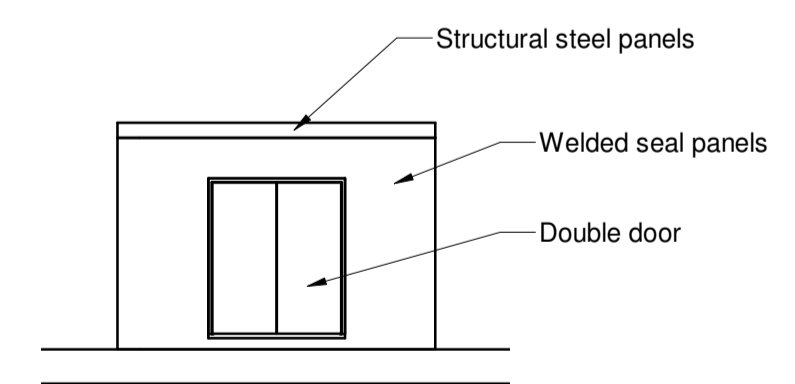
LVAC Room - Floor Plan
SCALE 1 : 100



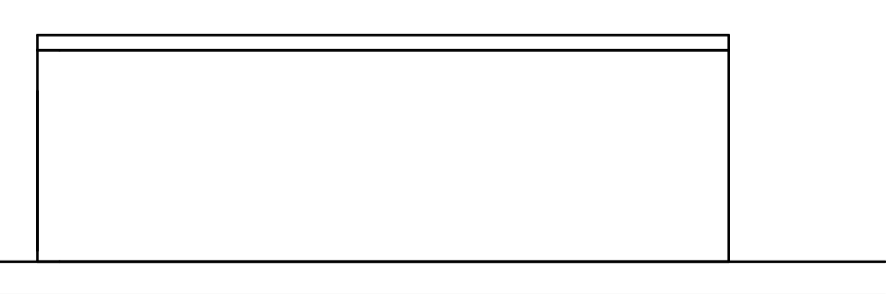
LVAC Room - Roof Plan
SCALE 1 : 100



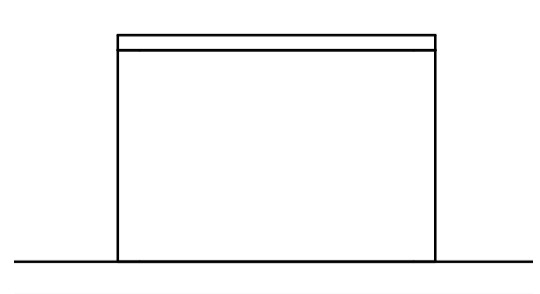
North Elevation
SCALE 1 : 100



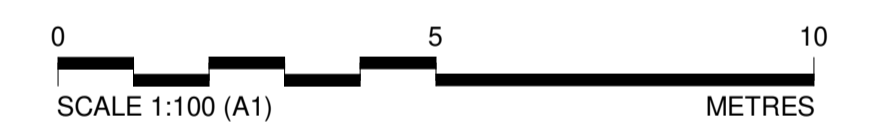
East Elevation
SCALE 1 : 100



South Elevation
SCALE 1 : 100



West Elevation
SCALE 1 : 100



JACOBS
FOR APPLICATION SUBMISSION

P01	25.04.22	PLANNING APPLICATION SUBMISSION	RM	RB	IF	RC
Rev	Rev Date	Description	By	Chkd	Rev'd	Apprv'd
Master Scheme No:	Sub-Scheme No:	Site:				
21847	XX	TWINSTEAD				
Scheme Name:						
PROPOSED GRID SUPPLY POINT SUBSTATION, OFF THE A131 BETWEEN BUTLERS & WALDEGRAVE WOODS						
Document Title:						
PLANNING BUILDINGS ELEVATIONS, FLOOR PLANS AND ROOF PLANS SHEET 2						
Created by:	Date:	Checked by:	Date:	Approved by:	Date:	
RM	01.04.22	RB	25.04.22	RC	25.04.22	
Development Eng:	Document Type:	Scale:	Format:	Sheet(s):	Rev:	
RJ	DRG	1 : 100	PDF	1	P01	
Model Ref: B31000F9-JAC-ZZ-XX-M3-C-1000						
National Grid Drawing Number:						
PDD-21847-ELE-017						
Originator Drawing Number:						
B31000F9-JAC-ZZ-XX-DR-017						

Revit Model File Path: BIM 360//Maritime & Energy BIM - Revit 2020 Projects\B31000F9-JAC-ZZ-XX-M3-C-1000.rvt