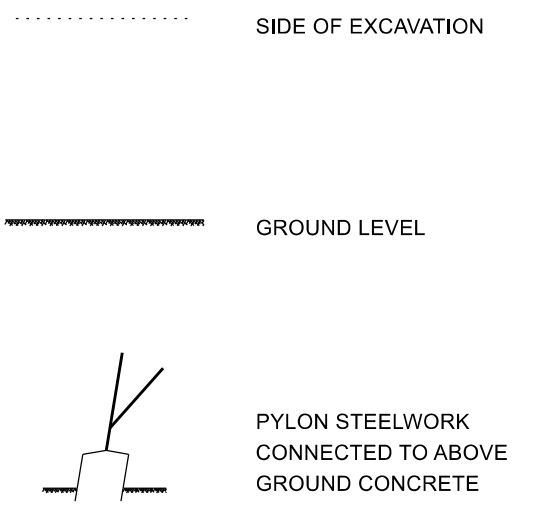


NATIONAL GRID (NORTH HUMBER TO HIGH MARNHAM) ORDER  
ILLUSTRATIVE LATTICE PYLON FOUNDATIONS  
SHEET 1 OF 1

Legend

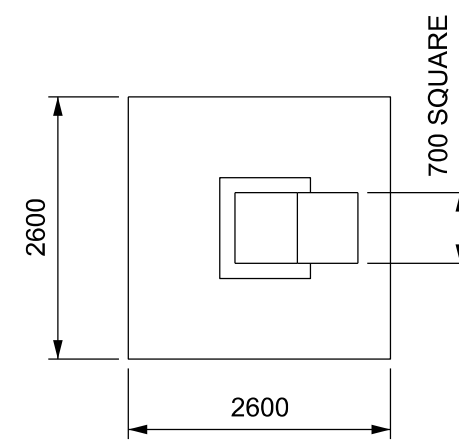


Notes

1. ALL DIMENSIONS ARE INDICATED IN MILLIMETRES (mm) UNLESS NOTED OTHERWISE.
2. THIS DRAWING IS SCALED AT PAPER SIZE A1. THEREFORE ANY PRINTS TAKEN AT SMALLER SIZES WILL AFFECT ACCURACY OF THE MEASUREMENT UNITS AND SHOULD NOT BE SCALED AGAINST.
3. FOUNDATION DESIGNS ARE CONCEPTUAL ONLY & SUBJECT TO FINAL DETAIL DESIGN.
4. CONCRETE VOLUMES EXCLUDE MINIMUM BLINDING DEPTHS.
5. PILE DIMENSIONS ARE ESTIMATED AND WOULD BE SUBJECT TO GROUND CONDITIONS AS DETERMINED BY A GEOTECHNICAL INVESTIGATION.
6. PAD & COLUMN TYPE FOUNDATIONS ARE SUITABLE FOR STANDARD, COHESIVE / GRANULAR GROUND AS DEFINED BY NGTS 3.04.15 B.
7. FOUNDATIONS DESIGNED IN ACCORDANCE WITH THE DETERMINISTIC LOADING SCHEDULES:  
L8c - BK95/28230  
L6m - BK95/21727

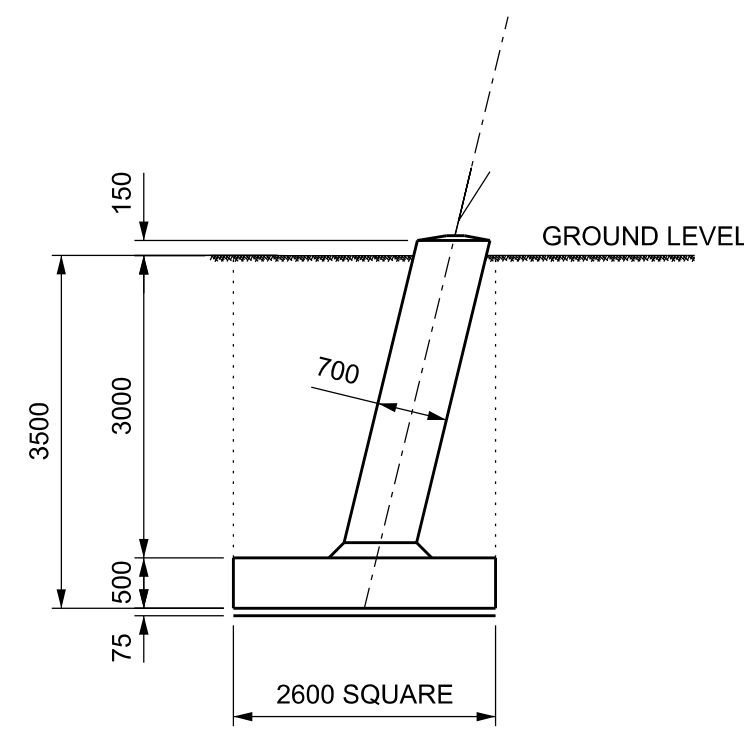
PAD AND COLUMN FOUNDATION

L6m D STD



PLAN VIEW

PAD AND COLUMN FOUNDATION



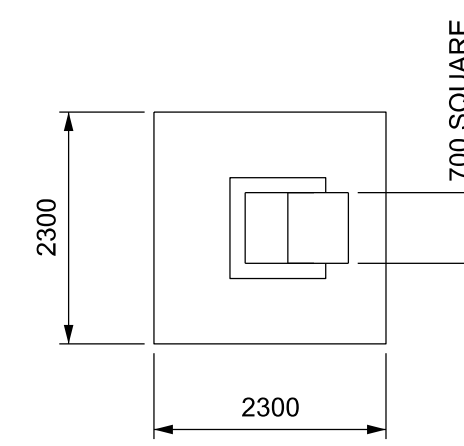
ELEVATION VIEW

PAD AND COLUMN FOUNDATION

CONCRETE = 5.1m³ per leg  
EXCAVATION = 23.7m³ per leg

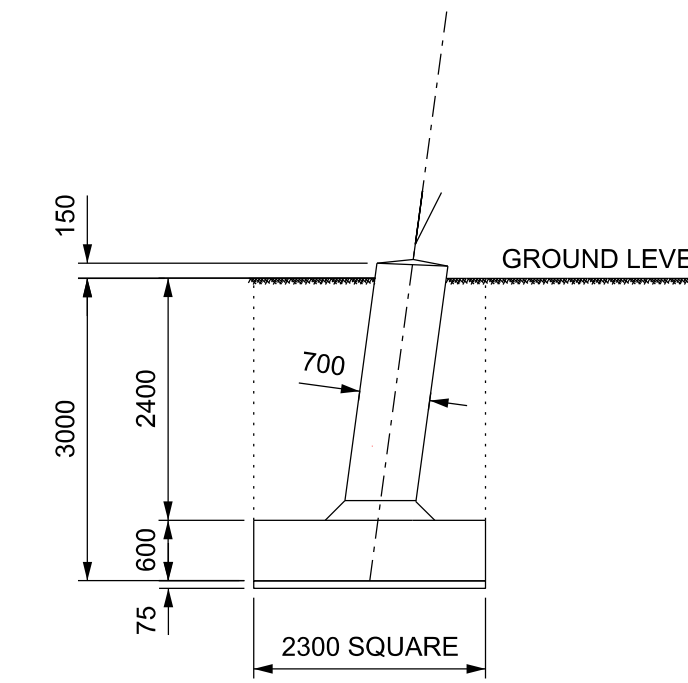
PAD AND COLUMN FOUNDATION

L8(c) D STD



PLAN VIEW

PAD AND COLUMN FOUNDATION

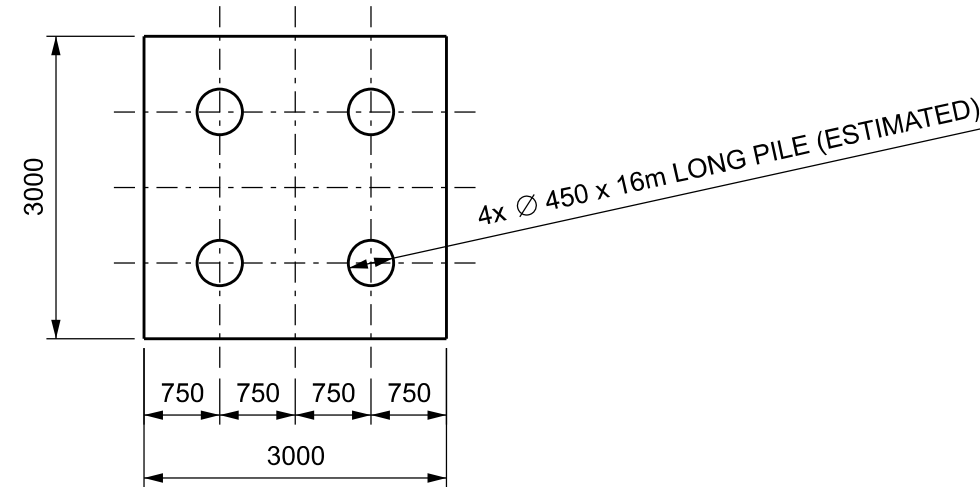


ELEVATION VIEW

PAD AND COLUMN FOUNDATION

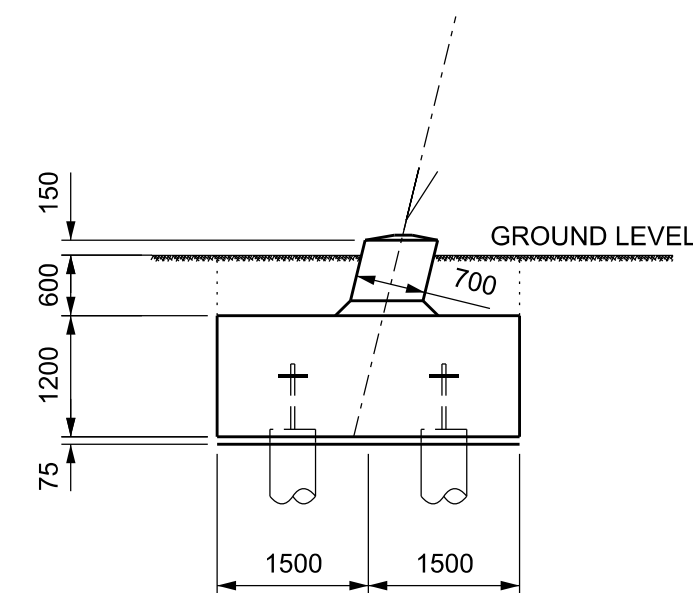
CONCRETE = 4.5m³ per leg  
EXCAVATION = 15.9m³ per leg

TUBE PILE FOUNDATION



PLAN VIEW

TUBE PILE FOUNDATION

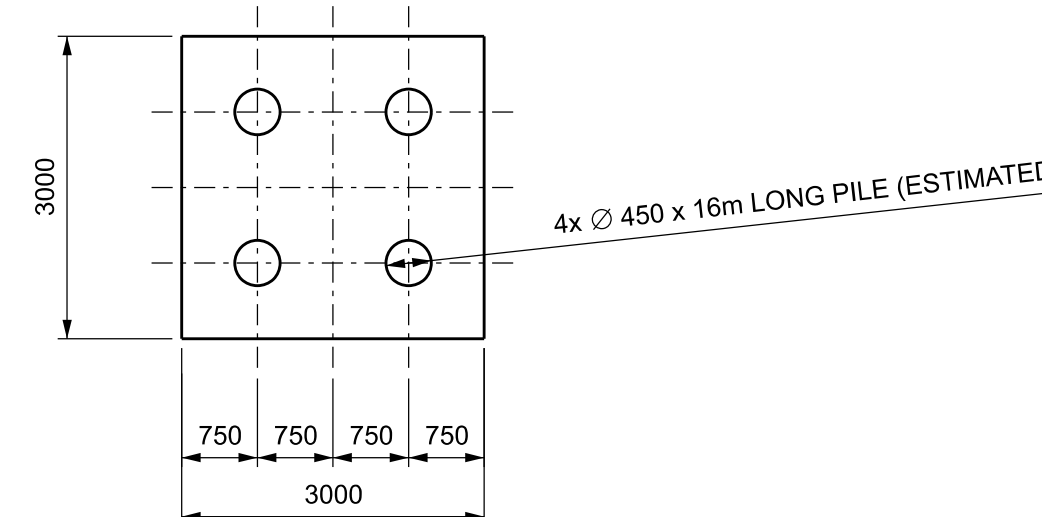


ELEVATION VIEW

TUBE PILE FOUNDATION

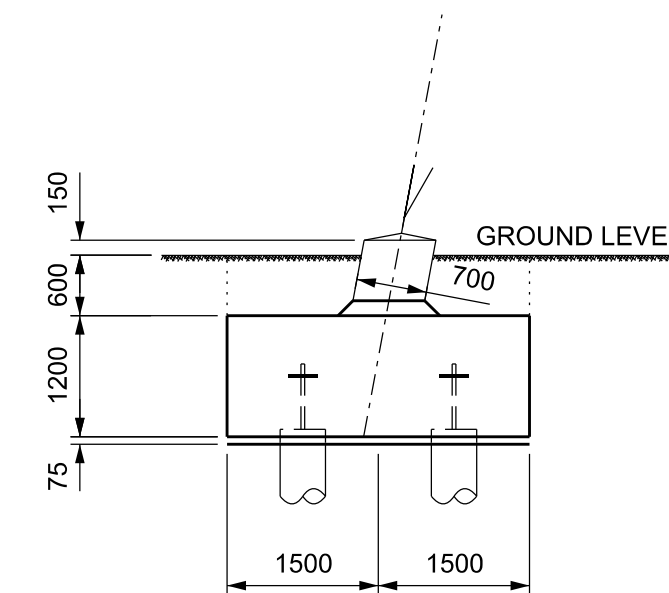
CONCRETE = 21.0m³ per leg  
EXCAVATION = 16.2m³ per leg

TUBE PILE FOUNDATION



PLAN VIEW

TUBE PILE FOUNDATION



ELEVATION VIEW

TUBE PILE FOUNDATION

CONCRETE = 21.0m³ per leg  
EXCAVATION = 16.2m³ per leg

Issue	Date	Remarks	Drawn	Checked	Approved
A	FEBRUARY 2025	FOR STATUTORY CONSULTATION	JDH	TF	JKS

Title  
NATIONAL GRID  
(NORTH HUMBER TO HIGH MARNHAM) ORDER  
ILLUSTRATIVE LATTICE PYLON FOUNDATIONS  
SHEET 1 OF 1

**nationalgrid**

Application Number	EN020034				
National Grid Drawing Reference	NHHM-NG-ENG-DWG-0007				
Scale	Sheet Size	Sheet	Issue		
1:75	A1	SHEET 1 OF 1	A		